

Represented by



Product Specification Sheet

Illing Part#

3648BLKC

48-485 BLACK PP CAP SINGLE HINGE 5 HOLE W/UNIVERSAL LINER

Part #: 3648BLKC

Size:	48-485
Color:	BLACK
Material:	POLYPROPYLENE
Style:	SINGLE HINGE
Additional Info:	5 HOLE
Case Pack:	1000 EACH
Pallet Pack:	30000 EACH



www.illingpackaging.com

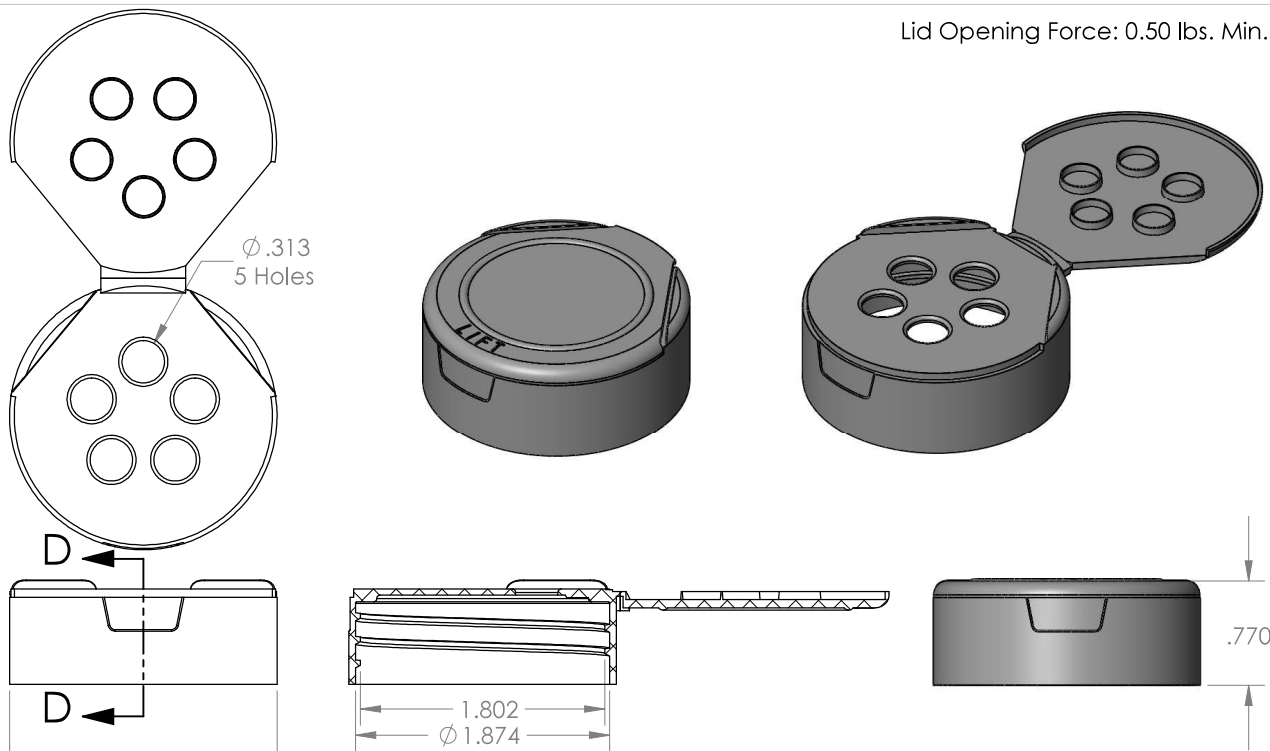
Represented by



Product Specification Sheet

Illing Part# 3648BLKC

Lid Opening Force: 0.50 lbs. Min.



Part Weight: 8.2 grams



CAPS Inc.
13080 Hollenberg
St. Louis, MO 63044

Phone: 314-739-2002 FAX: 314-739-7889
WWW.CAPSINC.NET

PROPRIETARY AND CONFIDENTIAL
THE INFORMATION CONTAINED IN THIS DRAWING IS THE SOLE PROPERTY OF CAPS Inc. ANY REPRODUCTION IN PART OR AS A WHOLE WITHOUT THE WRITTEN PERMISSION OF CAPS Inc. IS PROHIBITED.

UNLESS OTHERWISE SPECIFIED:

DIMENSIONS ARE IN INCHES
TOLERANCES: $\pm .005$
FRACTIONAL \pm
ANGULAR: MACH \pm BEND \pm
TWO PLACE DECIMAL \pm
THREE PLACE DECIMAL \pm

INTERPRET GEOMETRIC TOLERANCING PER:
MATERIAL: Polypropylene
FINISH:

DO NOT SCALE DRAWING

DRAWN	NAME	DATE
RL	RL	10-28-04
SALES APPR.		
ENG APPR.		
MFG APPR.		
Q.A. APPR.		
COMMENTS:		

CUSTOMER DRAWING
TITLE:
**48mm Dispensing Top
.300" Holes**

SIZE	DWG. NO.	REV
A		3
SCALE: 1:1		

5

4

3

2

1