

Represented by



Product Specification Sheet

Illing Part#

3648BLACK250

43-485 BLACK PP 5 HOLE FLIPTOP CAP UNIV. HS .250 ORIFICE 1200/CTN 36000/PLT

Part #: 3648BLACK250

Size:	43-485 NECK
Color:	BLACK
Material:	POLYPROPYLENE
Style:	5 HOLE FLIP TOP
Additional Info:	.250 ORIFICE
Case Pack:	1200 EACH 36000
Pallet Pack:	EACH

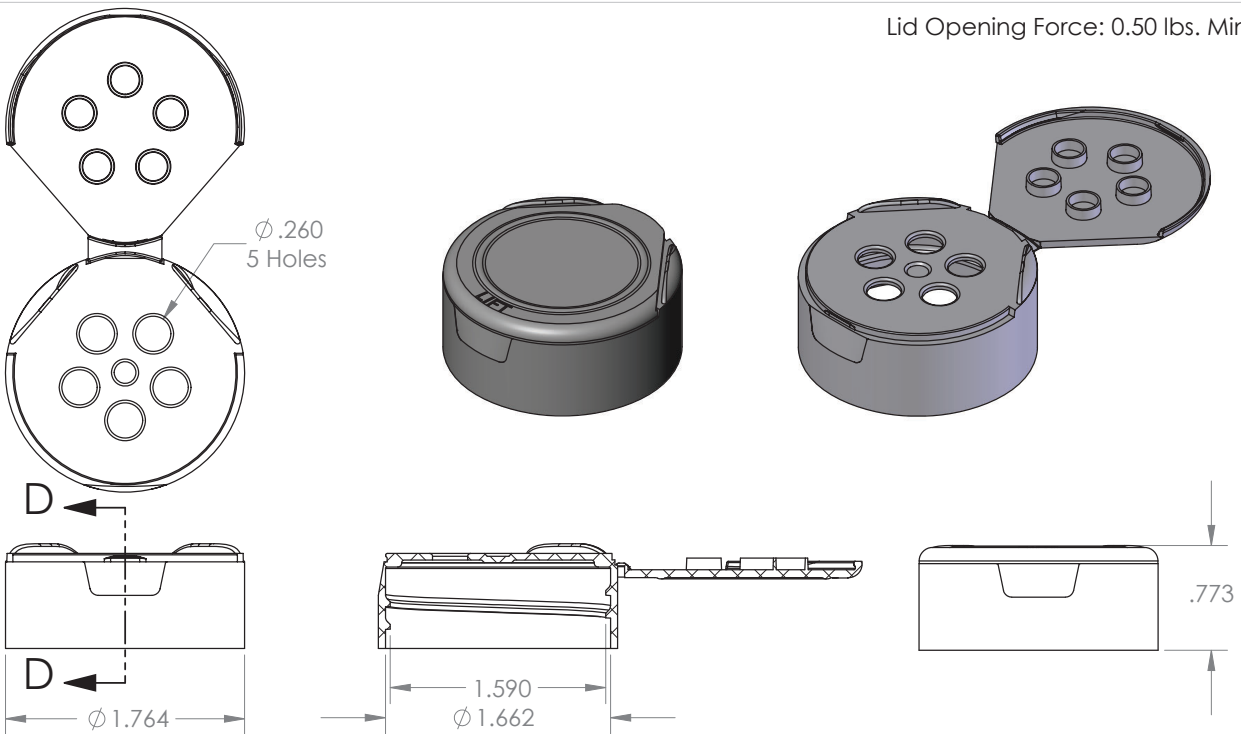
Represented by



Product Specification Sheet

Illing Part# 3648BLACK250

Lid Opening Force: 0.50 lbs. Min.



Part Weight: 6.8 grams



CAPS Inc.
13080 Hollenberg
St. Louis, MO 63044
Phone: 314-739-2002 FAX: 314-739-7889
WWW.CAPSInc.net

PROPRIETARY AND CONFIDENTIAL
THE INFORMATION CONTAINED IN THIS DRAWING IS THE SOLE PROPERTY OF CAPS Inc. ANY REPRODUCTION IN PART OR AS A WHOLE WITHOUT THE WRITTEN PERMISSION OF CAPS Inc. IS PROHIBITED.

UNLESS OTHERWISE SPECIFIED:

DIMENSIONS ARE IN INCHES
TOLERANCES: ±.005
FRACTIONAL ±
ANGULAR: MACH ± BEND ±
TWO PLACE DECIMAL ±
THREE PLACE DECIMAL ±

INTERPRET GEOMETRIC TOLERANCING PER:

MATERIAL Polypropylene

FINISH

DO NOT SCALE DRAWING

	NAME	DATE
DRAWN	RL	12-17-09
SALES APPR.		
ENG APPR.		
MFG APPR.		
Q.A. APPR.		

COMMENTS:

CUSTOMER DRAWING

TITLE:
**43mm Dispensing Top
.250" Holes**

SIZE	DWG. NO.	REV
A		4

SCALE: 1:1

5

4

3

2

1