

Represented by



ILLING[™]
P A C K A G I N G

Product Specification Sheet

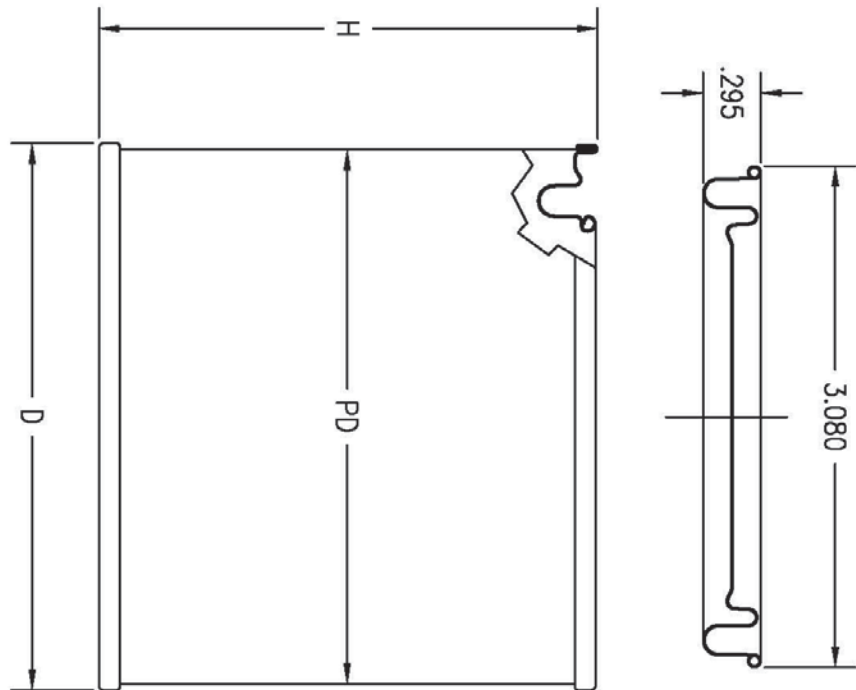
Illing Part#

1108AGF

1 PINT (16 OZ) TIN CAN GRAY LINED DT BULK PACK

Part #: 1108AGF

Size:	1 Pint (16 Ounces)
Color:	- - -
Material:	Tin
Style:	Tin Can
Additional Info:	Gray Lined, Double Tight
Case Pack:	2,464 each
Pallet Pack:	2,464 each



REFERENCE DIMENSIONS

CAN	D	PD	H
307 X 207	3.400	3.281	2.437
307 X 315	3.400	3.281	3.925
307 X 400	3.400	3.281	4.025

DRAWN BY: JDO		SCALE: ~	REL. BY: WTB	NO. D	DATE: 02-12-99	REVISION DESCRIPTION: CORRECTED O.C.R. AND PLUG DIMENSIONS
CHECKED BY: WTB		DATE: 02-23-98	CMS	E	06-03-99	ECR 14-99
APPROVED BY: FFK		THIS DRAWING AND ALL INFORMATION HEREIN CONTAINED IS THE EXCLUSIVE PROPRIETARY PROPERTY OF BMW CORPORATION OR ITS SUBSIDIARIES AND IS TO BE RETAINED IN CONFIDENCE. IT IS NOT TO BE DUPLICATED OR TO BE USED FOR ANY PURPOSE OTHER THAN THAT IT WAS DISCLOSED FOR, AND IS TO BE RETURNED TO BMW CORPORATION, ON DEMAND.				
LOCATION:		SUPERSEDES:		MATERIAL:		PRINT NO. P1307--1--001
<p>8607 Roberts Dr., Suite 250, Atlanta GA 30350</p> <p>PRODUCT DRAWING WELDED SIDE SEAM 307 DIAMETER PAINT CANS</p>		REV. E				

Represented by



ILLING[™]
P A C K A G I N G

Product Specification Sheet

Illing Part#

1108AGF



Customer Coating Data Sheet

Liner Description/Color: 1447/Gray

Film Resin: Modified epoxy

Use: Water based products

Component: Plug, ring, body & bottom

FDA Status: Not compliant

Application Method: Roll coat

Cure Temperature: 400°F PMT

Compatibility

Formulated products have different characteristics and do not always perform the same. In the absence of commercial packaging history, commodity testing is suggested to confirm liner and product compatibility. Testing should be conducted prior to commercial filling.