

Represented by



**ILLING**<sup>TM</sup>  
P A C K A G I N G

## Product Specification Sheet

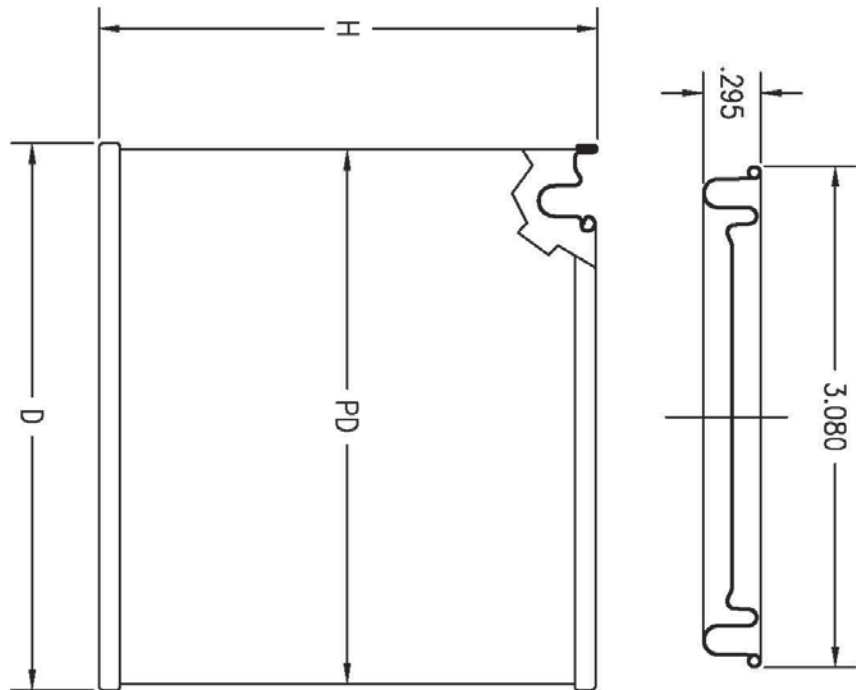
Illing Part#

1108ACGF

# 1 PINT (16 OZ) TIN PLUG GRAY LINED DT

**Part #: 1108ACGF**

Size:	1 Pint (16 Ounces)
Color:	- - -
Material:	Tin
Style:	Tin Plug
Additional Info:	Gray Lined, Double Tight
Case Pack:	528 each
Pallet Pack:	31,680 each



REFERENCE DIMENSIONS

CAN	D	PD	H
307 X 207	3.400	3.281	2.437
307 X 315	3.400	3.281	3.925
307 X 400	3.400	3.281	4.025

DRAWN BY:		SCALE	REL. BY:	NO.	DATE	REVISION DESCRIPTION
JDD	~		WTB	D	02-12-99	CORRECTED O.C.R. AND PLUG DIMENSIONS
CHECKED BY:	DATE		CMS	E	06-03-99	ECR 14-99
WTB	02-23-98					
APPROVED BY:	THIS DRAWING AND ALL INFORMATION HEREIN CONTAINED IS THE EXCLUSIVE PROPRIETARY PROPERTY OF BMW CORPORATION OR ITS SUBSIDIARIES AND IS TO BE RETAINED IN CONFIDENCE. IT IS NOT TO BE DUPLICATED OR TO BE USED FOR ANY PURPOSE OTHER THAN THAT IT WAS DISCLOSED FOR, AND IS TO BE RETURNED TO BMW CORPORATION, ON DEMAND.					
FFK						

		8607 Roberts Dr., Suite 250, Atlanta GA 30350
PRODUCT DRAWING WELDED SIDE SEAM 307 DIAMETER PAINT CANS		
MATERIAL	PRINT NO.	REV.
	PI307--1--001	E

Represented by



**ILLING**<sup>™</sup>  
P A C K A G I N G

## Product Specification Sheet

Illing Part#

1108ACGF



Customer Coating Data Sheet

**Liner Description/Color:** 1447/Gray

**Film Resin:** Modified epoxy

**Use:** Water based products

**Component:** Plug, ring, body & bottom

**FDA Status:** Not compliant

**Application Method:** Roll coat

**Cure Temperature:** 400°F PMT

### **Compatibility**

Formulated products have different characteristics and do not always perform the same. In the absence of commercial packaging history, commodity testing is suggested to confirm liner and product compatibility. Testing should be conducted prior to commercial filling.