

Represented by



ILLING[™]
P A C K A G I N G

Product Specification Sheet

Illing Part#

3802

8 OZ CLEAR GLASS ECONOMY JAR 58MM NECK CT

Part #: 3802

| | |
|------------------|---------------------------------------|
| Size: | 8 OZ |
| Color: | CLEAR |
| Material: | GLASS |
| Style: | ECONOMY JAR |
| Additional Info: | STACKER BOTTOM, CONTINUOUS TREAD 58MM |
| Case Pack: | 24 / EACH |
| Pallet Pack: | 1,920 / EACH |

ENVISION
DESIGN DECORATE DELIVER

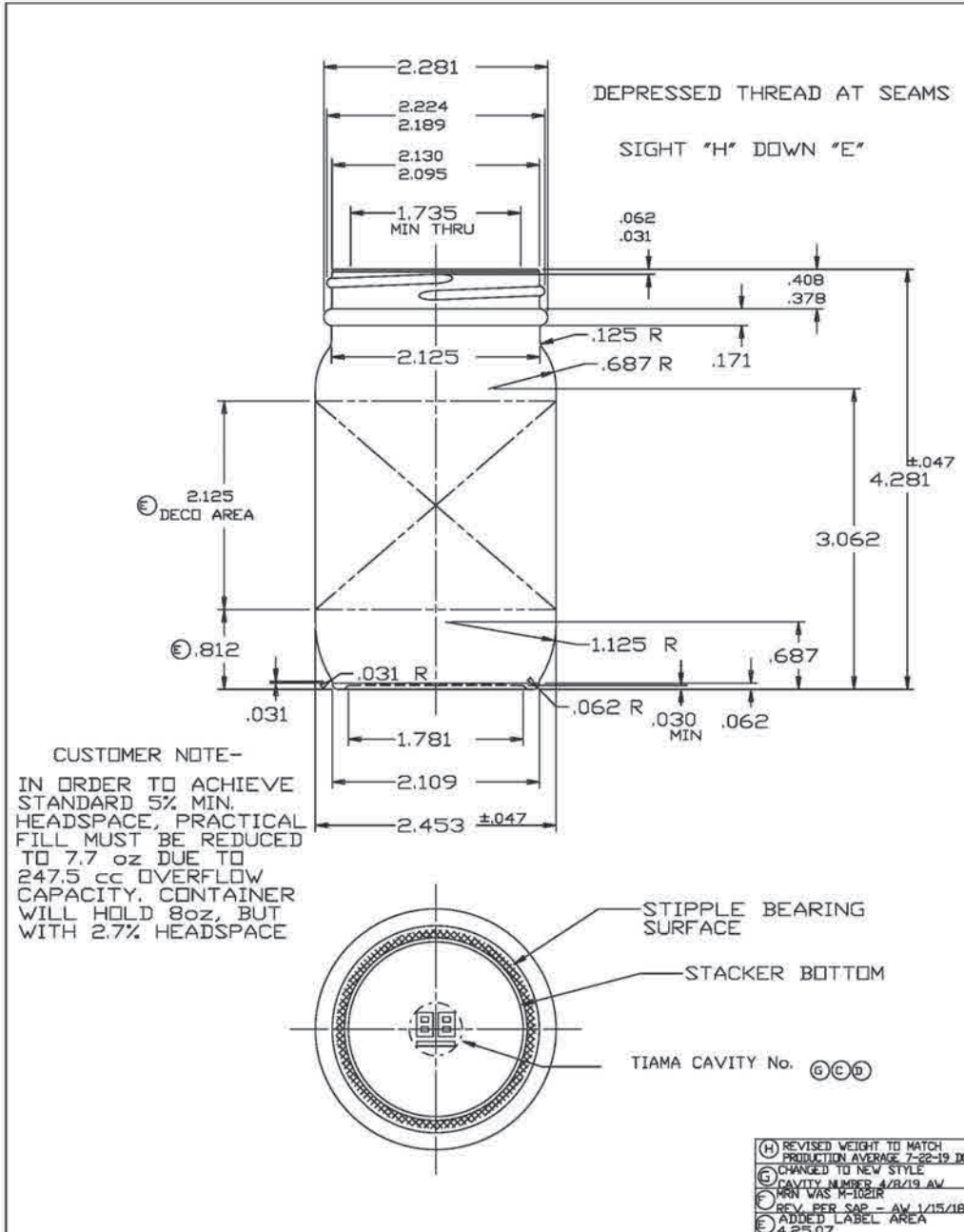
LabelILLING[™]

Shrink Labeling

AI SMART
PACKAGING

ILLING
GLOBAL
S O U R C I N G

www.illingpackaging.com



| | | | |
|-----------------------------|---|-----------------------|---|
| CUSTOMER | HOLD REGISTER NO. X-1021QRQQ | DATE DRAWN 1-21-99 | (H) REVISED WEIGHT TO MATCH PRODUCTION AVERAGE 7-22-19 DC |
| TITLE | SCALE FULL UNLESS OTHERWISE SPECIFIED | DRAWN BY T U | (E) CHANGED TO NEW STYLE |
| PRACTICAL FILL 8 oz APPROX. | APPROX. WGT. 5.236oz | CHECKED BY | (E) CAVITY NUMBER 2/22/19 AW |
| CAPACITY 247.5cc ± 4.6cc | PIRAMAL GLASS knowledge action care MARLTON, NJ USA | DRAWING No: U-33782-H | (E) FIN WAS 1-1021R |
| FINISH GPI 400-58 MM-405 | | | (E) REV. PER SAP - AW 1/15/18 |
| | | REVISIONS | (E) ADDED LABEL AREA 4.25.07 |
| | | | (D) CAVITY # WAS IN S/P MOVED TO BOTTLE PER E.R. 11/11/04 |
| | | | (C) CAVITY # MOVED FROM CENTER 3/15/04 |
| (H) 157 GRAMS, FLINT | | | |