

Represented by



## Product Specification Sheet

Illing Part#

3670HS

# 24-410 WHT PP MATTE TOP FINE RIB CAP HT SEAL FOR HDPE

Part #: 3670HS

Size:	24-410
Color:	WHITE
Material:	PP
Style:	FINE RIBBED MATTE CAP
Additional Info:	WITH HEAT SEAL FOR HDPE
Case Pack:	5500
Pallet Pack:	82,500



[www.illingpackaging.com](http://www.illingpackaging.com)

Represented by



## Product Specification Sheet

Illing Part#

3670HS

MEDIUM & DEEP SKIRTED CLOSURES

# 24-410-62 S



## Specifications:

DIAMETER 24 mm

THREAD PROFILE 410

NECK FINISH 24-410

CLOSURE TOP Stipple

CLOSURE SIDEWALL: Fine Ribbed

MATERIAL PP

### PACKAGING & FREIGHT INFORMATION

PACK TYPE	PCS/CTN	CTNS/PALT	PCS/PALT	CTN WT*	PALT WT*	FRT CLASS
Bulk	5,500	15	82,500	29 <sup>(1)</sup>	441 <sup>(1)</sup>	100 <sup>(1)</sup>
Bulk	5,500	15	82,500	31 <sup>(2)</sup>	471 <sup>(2)</sup>	100 <sup>(2)</sup>

**CARTON DIMENSIONS: 24 x 16 x 15**      **PALLET DIMENSIONS: 48 x 40 x 50**

(1) Unlined Closures (2) Lined Closures \*Approximate

### MARKETS

Automotive, Industrial, and Medical Products, Household Chemicals, Personal Care & Cosmetics, Dressings & Sauces, Food, Food Service and Pharmaceuticals.

### OPTIONS

Available in white, standard colors and custom colors. Can be lined with a wide variety of liner systems.

### CLOSURE BENEFITS

- A great general-purpose closure
- Fine-ribbed sides are easier to grip
- Our most popular closure style



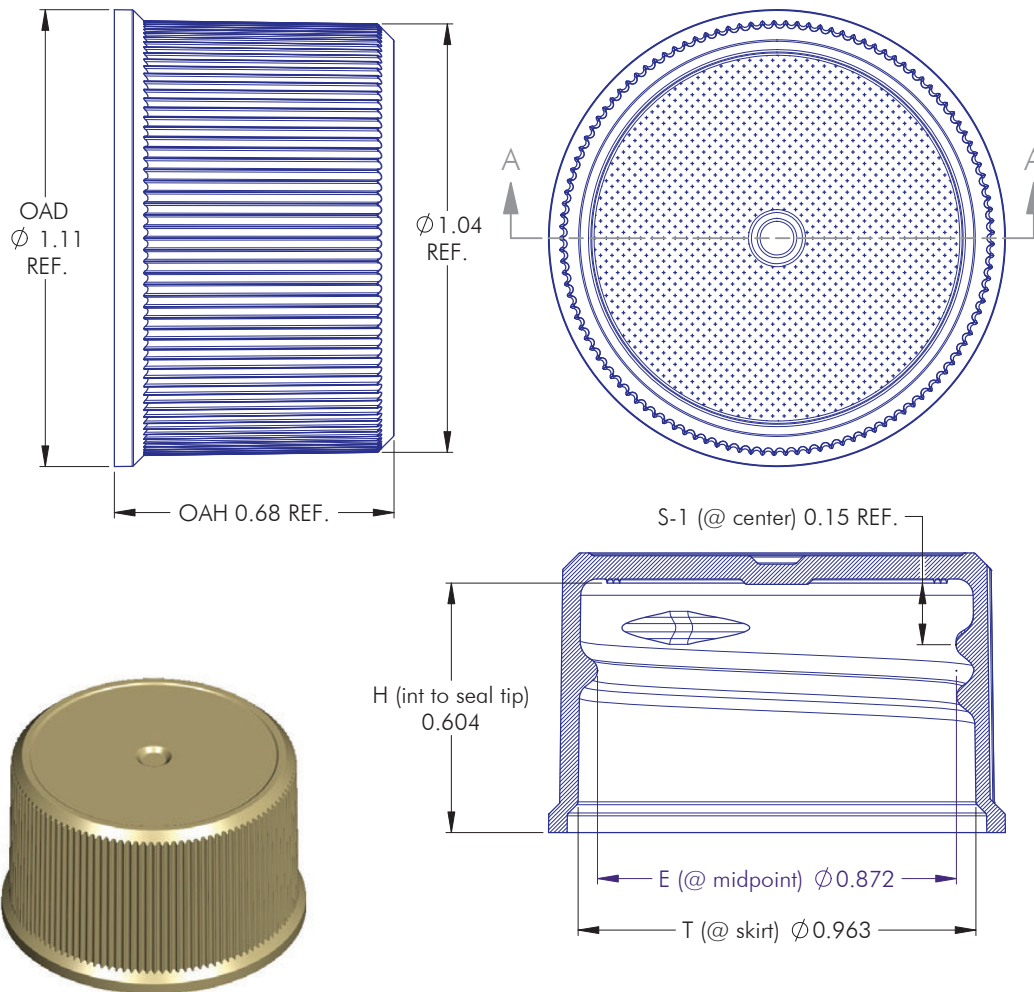
**PHOENIX™**

PHXPKG.COM

P 630 420 4750 E greatpkg@phxpkg.com  
1899 High Grove Lane Naperville, IL 60540

MEDIUM & DEEP SKIRTED CLOSURES

# 24-410-62 S

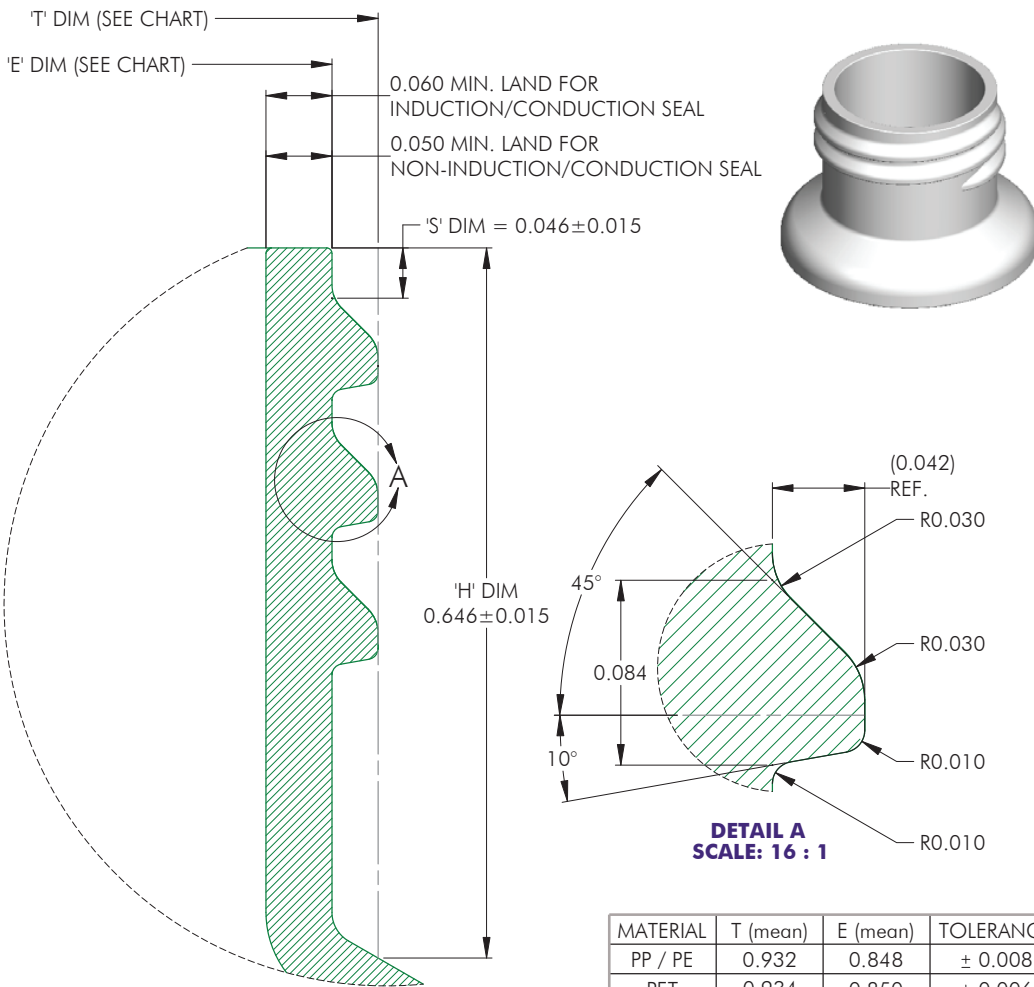


NOTES: (UNLESS OTHERWISE SPECIFIED) 1. ALL DIMENSIONS ARE IN INCHES. 2. SEE CHART FOR DIMENSIONAL TOLERANCE.		5	09.26.11	Modified Interior Wall	DN		
REV	DATE	DESCRIPTION			BY		
TOLERANCE		PITCH/TPI	.125 / 8	TURNS	1-1/8	MAT'L	PP
.X	±0.1	DRAWN	BEZ	DATE	07.11.04	SCALE	3 : 1
.XX	±0.02	24 - 410 - 62 S			REV	5	
.XXX	±0.010						



MEDIUM & DEEP SKIRTED CLOSURES

# 24-410-62 S



MATERIAL	T (mean)	E (mean)	TOLERANCE
PP / PE	0.932	0.848	± 0.008
PET	0.934	0.850	± 0.006
GLASS	N/A	N/A	± N/A

NOTES: (UNLESS OTHERWISE SPECIFIED) 1. ALL DIMENSIONS ARE IN INCHES. 2. SEE CHART FOR DIMENSIONAL TOLERANCE.		0	10.19.04	Released	BZ
REV	DATE	DESCRIPTION		BY	
TOLERANCE		PITCH/TPI	1.125 / 8	TURNS	2
MATERIAL		PER CHART			
.X	±0.1	DRAWN	BEZ	DATE	10.19.04
.XX	±0.02	SCALE	8 : 1		
.XXX	±0.010	24 - 410 - FINISH			0

