

Represented by



ILLING[™]
P A C K A G I N G

Product Specification Sheet

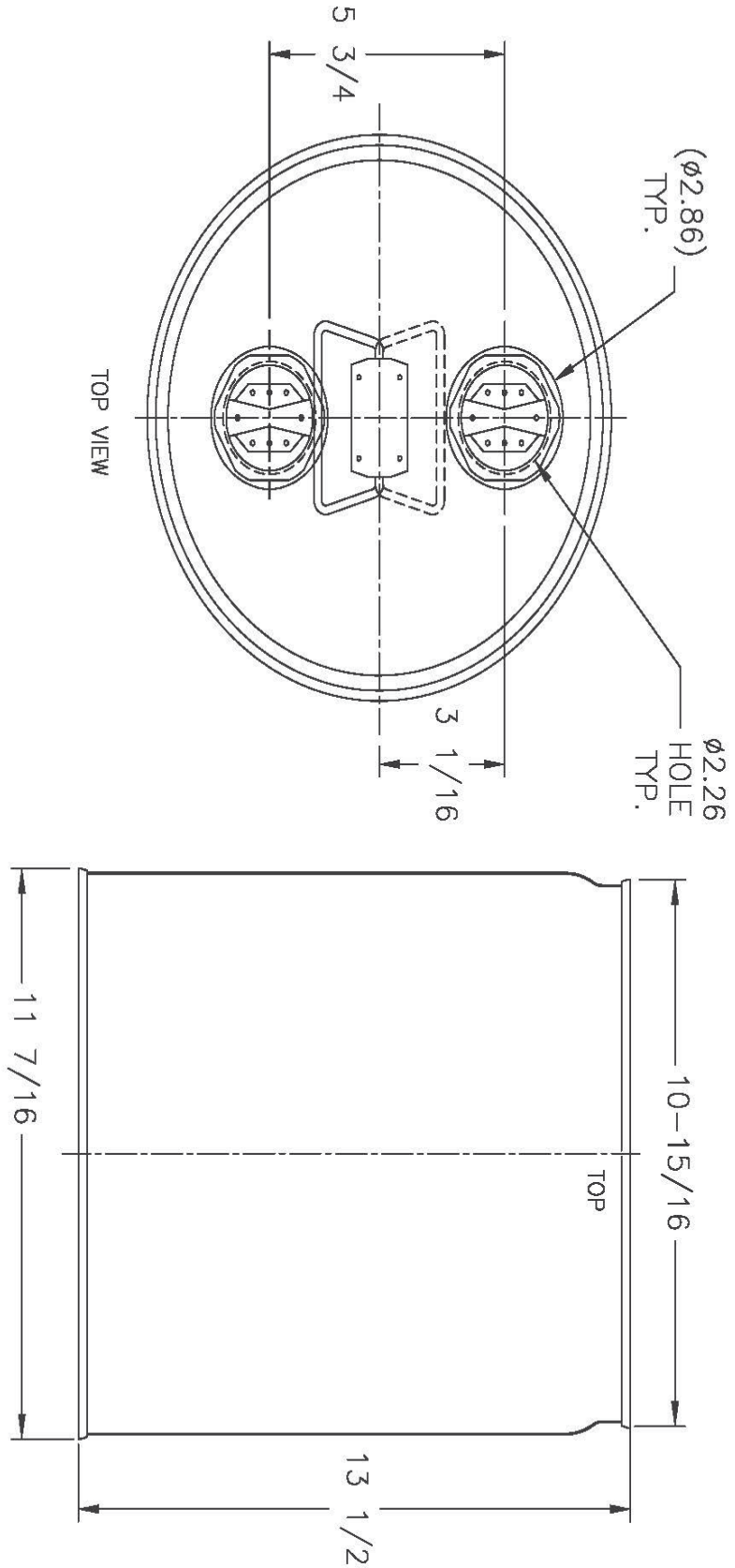
Illing Part#

2209

5 GAL BLK STL TH PAIL UNLD RI 26G/24G UN(Y1.8/200) 2-2"BUNGS(1-INSTLD)

Part #: 2209

Size:	5 Gallon
Color:	Black
Material:	Steel
Style:	TH Steel Pail
Additional Info:	26/24G, (2)2"Bungs, Rust Inhibit
Case Pack:	(36/48) 84 each
Pallet Pack:	84 each



DRAWN BY:	SCALE:	REV. BY:	NO.	DATE:	REVISION DESCRIPTION:
J.Zavella	NONE				
CHECKED BY:	DATE:				
1-19-12					
APPROVED BY:	THIS DRAWING AND ALL INFORMATION HEREIN CONTAINED IS THE EXCLUSIVE PROPRIETARY PROPERTY OF THE MANUFACTURER OR ITS SUBSIDIARIES, AND IS TO BE RETAINED IN CONFIDENCE. IT IS NOT TO BE DUPLICATED, OR TO BE USED FOR ANY PURPOSE OTHER THAN WHAT IT WAS DISCLOSED, AND IS TO BE RETURNED TO THE MANUFACTURER, ON DEMAND.				
	LOCATION:	SUPERSEDES:	MATERIAL:	PRINT NO.:	REV.:
	CHICAGO	6245		PD500-5-070	
11-1/4" DIAMETER - 5 GALLON CLOSE TOP, STRAIGHT SIDED PAIL WITH (2) 2" DRUM FLANGE WITH GASKET					