

Represented by



ILLINGTM
P A C K A G I N G

Product Specification Sheet

Illing Part#

8.4 OZ Stubby Printed MOQ: 3,501 (9 Tiers)



Part #:

Size:	8.4 oz
Color:	
Material:	Aluminum
Style:	Stubby
Additional Info:	Lining:BPANI, 250ml; Ends Needed: 202
Case Pack:	
Pallet Pack:	9,725 (25 Tiers)

Represented by



ILLINGTM
P A C K A G I N G

Product Specification Sheet

Illing Part#

Aluminium 2Pc cans 250ml Stubby 202# lid

Code: CPS-250-A52.4

Description: Bev 2Pc Can - 250ml Aluminium 52.4/66x91.7

Material : Aluminum alloy 3104, Temper : H19,

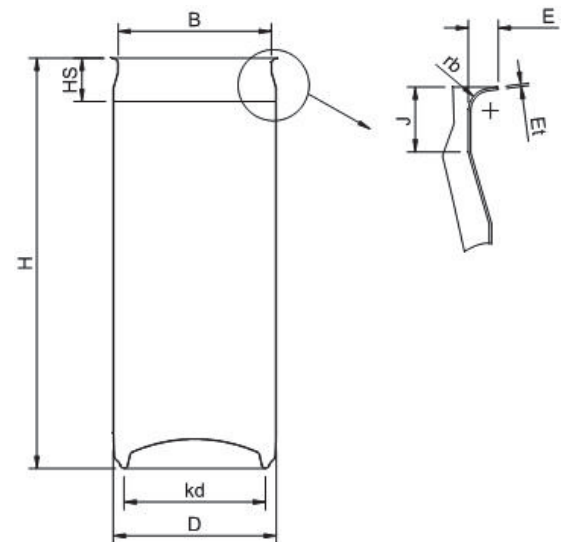
Coil thickness : 0.270±0.005mm

Internal coating : BPANI

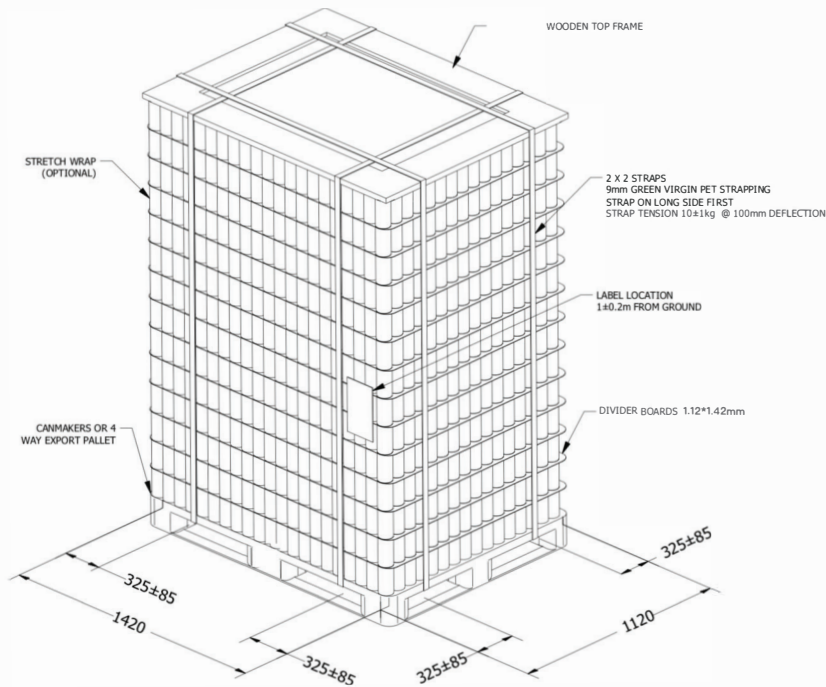
External coating : Decorated +Clear varish+BRC

Specification

Entity Code	Entity Description	Value	Tolerance
B	Inside Neck Diameter	52.40 mm	±.25
D	Outside Can Diameter	66.20 mm	
E	Flange Width	2.10 mm	±.25
Et	Flange Thickness	.160 mm	
rb	Flange Radius	1.02 mm	
Kd	Stand diameter	48.00mm	
H	Open Can Height	91.70mm	±.30
J	Neck seaming clearance	3.05mm	
HS	Freeboard depth	18.16mm	±.50
	Nominal Fill Volume (ml)	250	
	Container Brimful Capacity (ml)	270	±3 TBC
	Minimum Dome Reversal Pressure	6.2 bar	Min.
	Axial Column strength	1KG	Min.



PAGE 1 OF 1



250ml stubby aluminum cans

Wooden Pallets size:W1120*L1420*H2457mm
 389 cans per layer
 25 layers per pallet
 9725 cans per pallet
 16 pallets per 40HQ
 Gross weight: Approx 115kg/pallet

* Alternative pack pattern. Site Dependant
 Heights are for Maximum Local Production and Sea/Interstate Freight
 Can Layout per Layer Available on Request

SPECIFICATION	Packing layout of Cans	F		201 6 05
DATE & REVISION	201 6 Revision M	REVISION	DESCRIPTION	DATE