

Represented by



Product Specification Sheet

Illing Part#

3640

48-400 WHT PP CAP MATTE TOP FINE RIB SIDES WITH FOAM LINER

Part #: 3640

Size:	48-400
Color:	WHITE
Material:	PP
Style:	FINE RIBBED CAP
Additional Info:	W FOAM LINER; MATTE TOP
Case Pack:	2500
Pallet Pack:	37,500



www.illingpackaging.com

SHALLOW SKIRTED CLOSURES

48-400-6201 S



Specifications:

DIAMETER 48 mm
THREAD PROFILE 400
NECK FINISH 48-400
CLOSURE TOP Stipple
CLOSURE SIDEWALL Fine Ribbed
MATERIAL PP

PACKAGING & FREIGHT INFORMATION

PACK TYPE	PCS/CTN	CTNS/PALT	PCS/PALT	CTN WT*	PALT WT*	FRT CLASS
Bulk	2,500	15	37,500	30 ⁽¹⁾	444 ⁽¹⁾	100 ⁽¹⁾
Bulk	2,500	15	37,500	34 ⁽²⁾	505 ⁽²⁾	92.5 ⁽²⁾
CARTON DIMENSIONS: 24 x 16 x 15			PALLET DIMENSIONS: 48 x 40 x 50			

(1) Unlined Closures (2) Lined Closures *Approximate

MARKETS

Agricultural and Medical Products, Dressings & Sauces, Food, Nutraceuticals Food Oil, Pharmaceuticals, and Beverages.

CLOSURE BENEFITS

- A great general-purpose closure
- Fine-ribbed sides are easier to grip
- Our most popular closure style

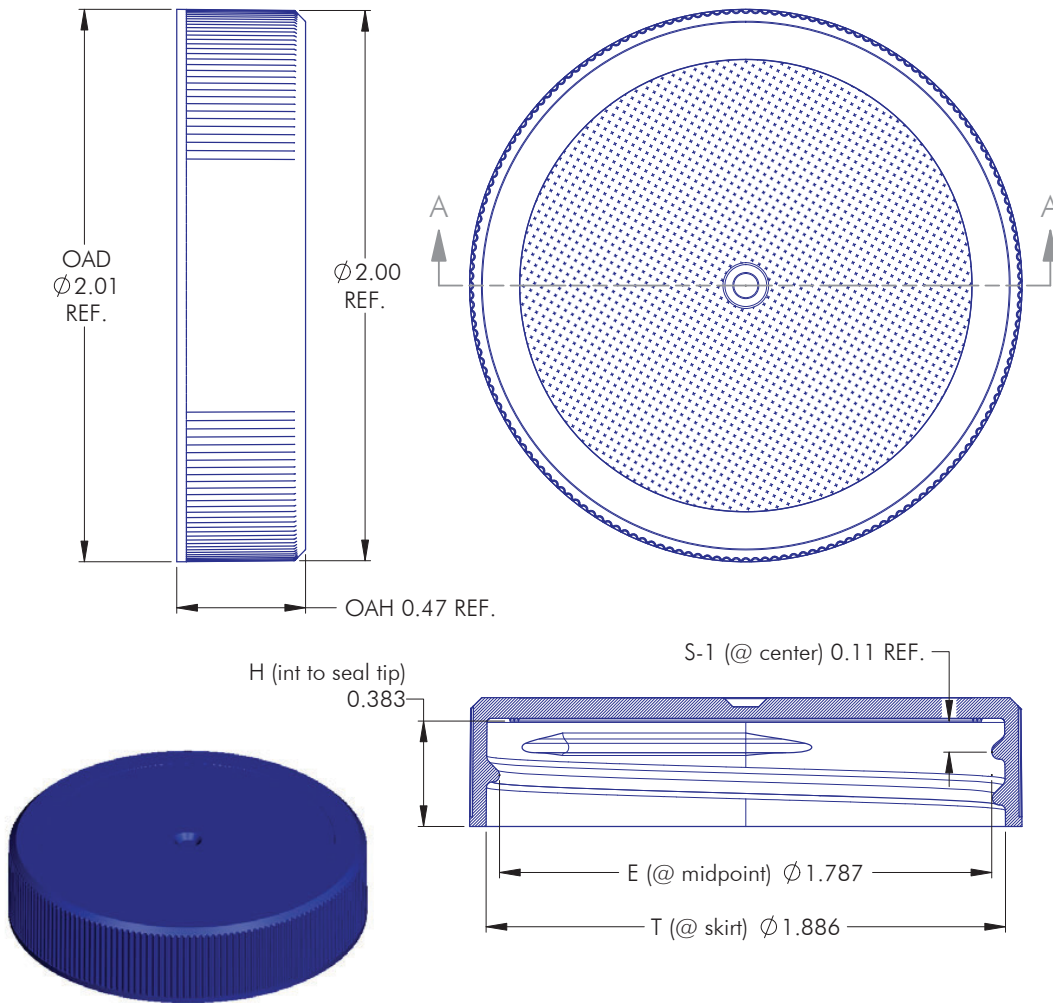
OPTIONS

Available in white, standard colors and custom colors. Liners can be cut with a pull-tab easy-open feature. Can be embossed or debossed with your custom message. Offset printing is available on this closure in up to three colors.



SHALLOW SKIRTED CLOSURES

48-400-6201 S

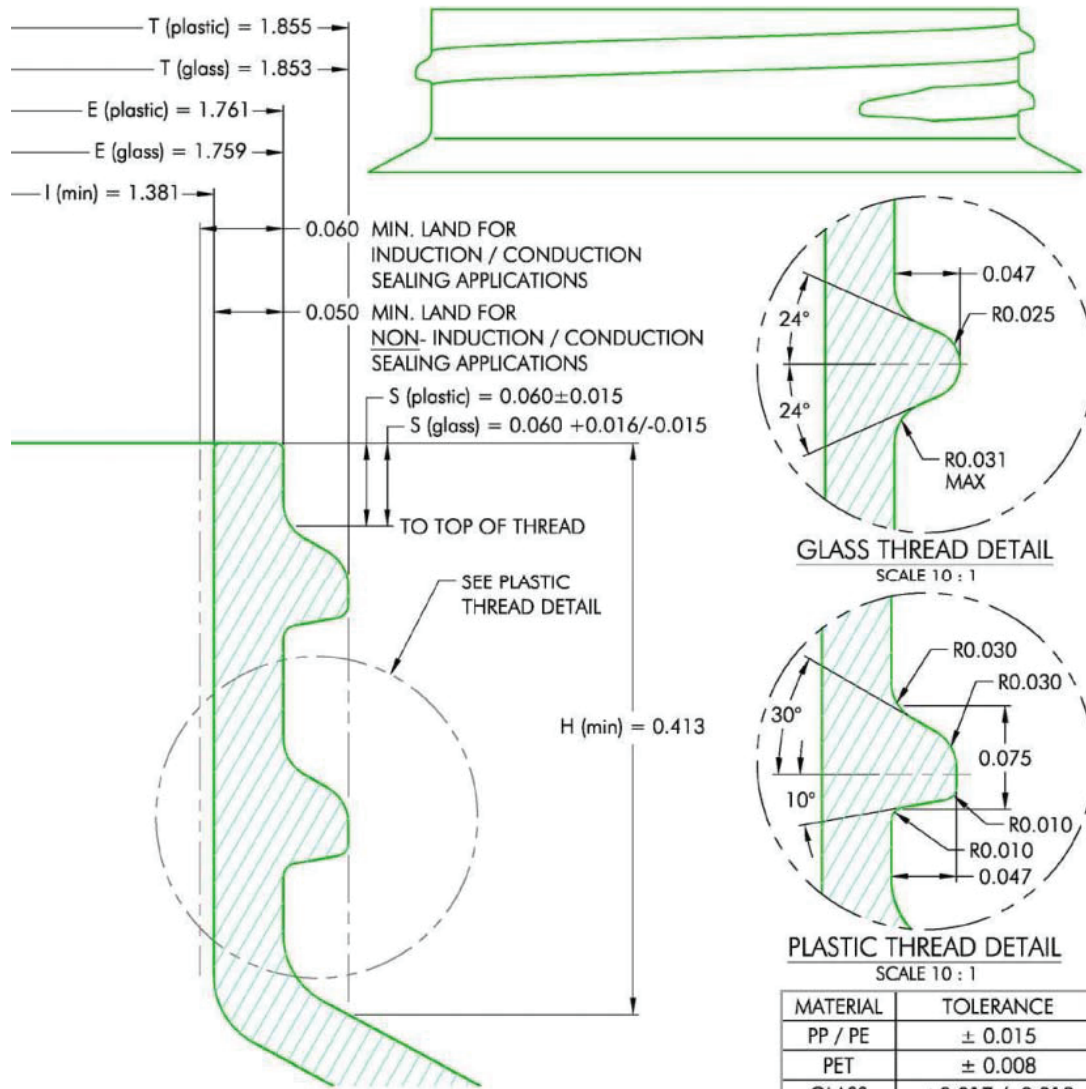


NOTES: (UNLESS OTHERWISE SPECIFIED) 1. ALL DIMENSIONS ARE IN INCHES. 2. SEE CHART FOR DIMENSIONAL TOLERANCE.		4	05.06.15	Redefine Reference Dimensions	DN
REV	DATE	DESCRIPTION			BY
TOLERANCE		PITCH/TPI .167 / 6		URNS 1-1/4	MAT'L PP
.X	±0.1	DRAWN DMN	DATE 12.12.03	SCALE 2 : 1	REV
.XX	±0.02	48 - 400 - 6201 S			4
.XXX	±0.010				



SHALLOW SKIRTED CLOSURES

48-400-6201 S



NOTES: (UNLESS OTHERWISE SPECIFIED)		0	08.23.94	Released	BZ
1. ALL DIMENSIONS ARE IN INCHES.		REV	DATE	DESCRIPTION	BY
2. SEE CHART FOR DIMENSIONAL TOLERANCE.					
THIS OR FACSIMILE THEREOF IS THE EXCLUSIVE PROPERTY OF PHOENIX AND MAY NOT BE REPRODUCED WITHOUT THE EXPRESSED WRITTEN CONSENT OF PHOENIX. SOME OR ALL OF THE ITEMS DEPICTED ON THIS DRAWING MAY BE COVERED BY CURRENT PATENTS OR PATENTS APPLIED FOR BY PHOENIX.		TOLERANCE	PITCH/TPI	TURNS	MATL
.X	±0.1	.167 / 6	1-1/8	Per Chart	
.XX	±0.02	DRAWN	BEZ	DATE	08.23.94
.XXX	±0.010	SCALE	10 : 1	REV	
48 - 400 - FINISH				0	