

1 GALLON WHITE HDPE EZ TEAR TAB COVER

Part #: 3201ETW

Size:	1 Gallon
Color:	White
Material:	HDPE
Style:	Plastic EZ Tear Tab Cover
Additional Info:	
Case Pack:	150 each
Pallet Pack:	3,000 each



Product Specifications

1-Gallon Round Container with FIG EZ Cover[®]

Multiple Uses

Dry Products
Liquid Products

Product Codes

Container: **R015**
Description: 1-gallon round can

Cover: T1FZ

Description: Tamper-evident, round EZ Cover[®]
flowed-in gasket

Features

Gauge: 50 mil.
Nominal capacity: 1 USG / 3.8 L
Stack performance: 150 lbs.*
Tare weights: Body: .44 lbs. / .20 kgs.
Cover: .20 lbs. / .09 kgs.

Note: *Ratings will be reduced with uneven load distribution.

Specifications with Cover

Dimensions: 8-1/4"D X 7-5/16"H
Maximum capacity: 1.1 USG / 4.2 L
Tare weight: .64 lbs. / .29 kgs.

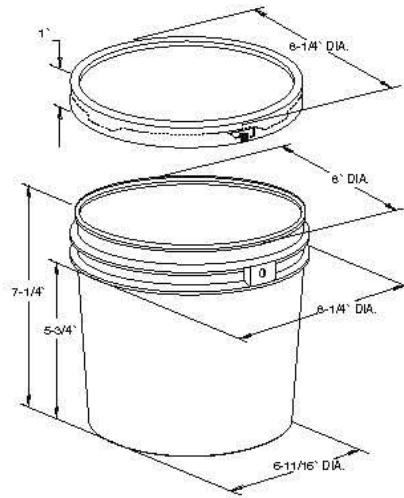
Colors

Standard: White, Black and Natural
Custom: Available at manufacturer's discretion

Decorating Options

Silk - Screening: 20-3/4"W X 4-1/2"H
Four or six* color offset printing
Print area: 22-3/4"W X 4-1/2"H
Sleeve or pressure sensitive labeling

Note: *Where available



Shipping Data

Qty. per pallet: 450
Gross Weight (lbs./kgs.): 198/90
Den. (lbs./C.F./kgs./m3): 5.8/92.6
Length (in./cm.): 49.5/125.7
Width (in./cm.): 41.3/104.9
Height (in./cm.): 29/73.7
Estimated truckload quantity of 25,650 bodies and covers**

Bodies

Covers

Filled Containers

3,000 (20 boxes of 150)
600/270
6.5/103.1
50.5/128.3
42.5/107.9
74.5/189.2

180 (30 per layer/6 layers high)
Pallet height: 48"

Notes: *Weight does not include pallet/packaging
**Truckload quantity based on 53' trailer

Materials

FDA approved materials
Resin: Body: High-Density Polyethylene (HDPE)
Cover: High-Density Polyethylene (HDPE)
Hot Melt Synthetic Resin - Flowed-in Gasket
MSDS Sheets available upon request

Optional Carrying Handle