

Represented by



Product Specification Sheet

Illing Part#

3607

3/4" PLASTIC SAFE SEAL WITH CRIMP RING FOR PLASTIC DRUM CAP

Part #: 3607

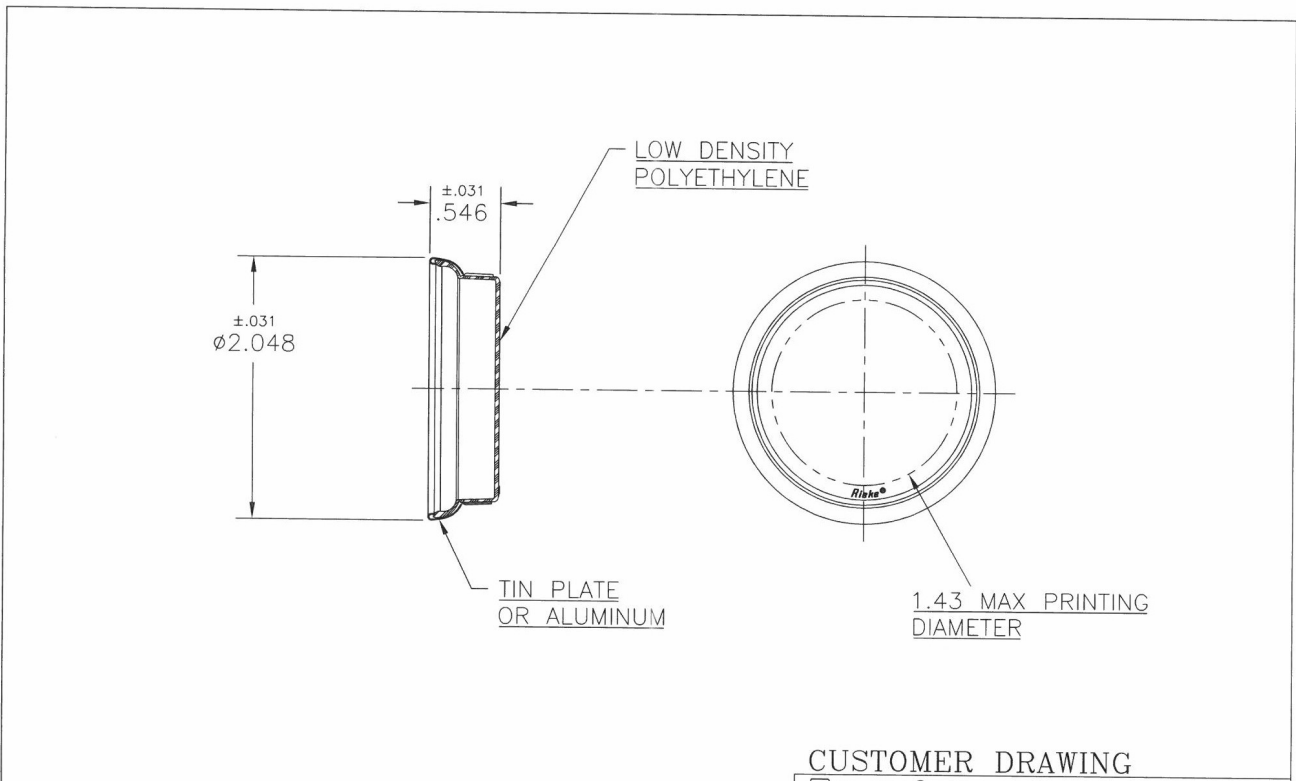
| | |
|------------------|-----------|
| Size: | 3/4" |
| Color: | Natural |
| Material: | Plastic |
| Style: | Drum Cap |
| Additional Info: | Safe Seal |
| Case Pack: | 1,000 |
| Pallet Pack: | -- |

Represented by



Product Specification Sheet

Illing Part# 3607



CUSTOMER DRAWING

Rike® Corporation — Auburn, Indiana

DETAIL NAME 3/4" SAFESEAL ASSEMBLY

TOOL ASSY. NAME

PRODUCT PX-1 TOOL ASSY NUMBER

DRAWING NUMBER 28000431

FOR

MATERIAL AS NOTED TEMPER

DETAIL NUMBER PX-1

BREAK ALL SHARP EDGES WITH 1/64" RADIUS, UNLESS OTHERWISE SPECIFIED

DATE 10-20-06

DRAWN BY J. HESS

CHECKED JPZ

SCALE NTS

| | |
|------------|-----------------|
| ANGLES | $\pm 1/4^\circ$ |
| HUNDRETH | ± 0.15 |
| THOUSANDTH | ± 0.02 |

| | | | | |
|---------------|---|----------------|----------|-----|
| APPROVED | F | REDRAWN IN CAD | 10-20-06 | JLH |
| CHANGE NUMBER | | CHANGE | DATE | BY |