

Represented by



ILLING[™]
P A C K A G I N G

Product Specification Sheet

Illing Part#

3204L

2 GALLON WHITE HDPE EZ TEAR TAB COVER FDA APPROVED

Part #: 3204L

Size:	2 Gallon
Color:	White
Material:	HDPE
Style:	Plastic Round Cover
Additional Info:	Tear Tab, FDA Approved
Case Pack:	80 each
Pallet Pack:	2,560 each



Ropak Packaging

A  Company

Product Specifications

2-Gallon Round Container with Gasket EZ Cover[®]

Multiple Uses

Dry Products
Liquid Products

Product Codes

Container: **R027**
Description: 2-gallon round can

Cover: T2WR

Description: Tamper-evident, round EZ Cover[®]
with tubular gasket and Ring Pull[®]

Features

Gauge: 65 mil.
Nominal capacity: 2.0 USG / 7.6 L
Stack performance: 200 lbs.*
Tare weights: Body: .80 lbs. / .36 kgs.
Cover: .30 lbs. / .14 kgs.

Note: *Ratings will be reduced with uneven load distribution.

Specifications with Cover

Dimensions: 9-15/16"D X 9-7/16"H
Maximum capacity: 2.1 USG / 7.9 L
Tare weight: 1.10 lbs. / .50 kgs.

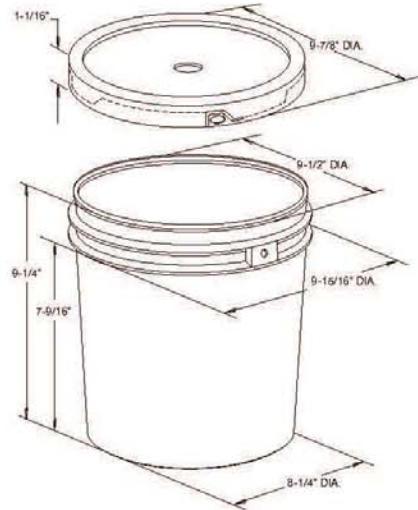
Colors

Standard: White, Black and Natural
Custom: Available at manufacturer's discretion

Decorating Options

Silk - Screening: 25-1/2"W X 6"H
Four or six* color offset printing
Print area: 27-1/2"W X 6"H
NXT Graphics[®]

Note: *Where available



Shipping Data

	Bodies	Covers
Qty. per pallet:	240	1,920 (24 boxes of 80)*
Gross Weight: (lbs./kgs)**:	192/86.4	576/268.8
Den. (lbs./C.F./kgs./m3):	5.1/76.8	5.4/89.7
Length (in./cm.):	49/124.5	48/121.9
Width (in./cm.):	40/101.6	41/104.1
Height (in./cm.):	33/83.8	93/236.2

Estimated truckload quantity of 14,400 bodies and covers***

Filled Containers

100 (20 per layer / 5 layers high)
Pallet height: 51"

Notes: *Bulk pack also available
**Weight does not include pallet/packaging
***Truckload quantity based on 53' trailer

Materials

FDA approved materials
Resin: Body: High-Density Polyethylene (HDPE)
Cover: High-Density Polyethylene (HDPE)
Styrene Butadiene Rubber (SBR) Gasket
MSDS Sheets available upon request

Optional Carrying Handle

F.O.B. – ROPAK Facilities