

Represented by



ILLING[™]
P A C K A G I N G

Product Specification Sheet

Illing Part#

3EC3053

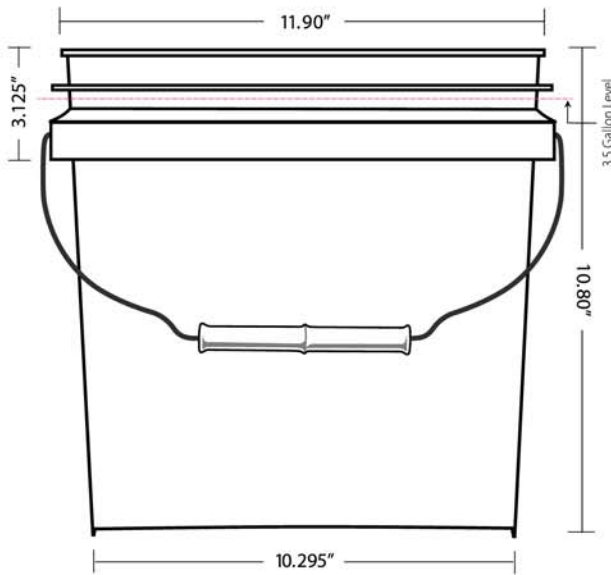
3.5 GALLON WHITE HDPE OH PAIL 90MIL WITH BAIL

Part #: 3EC3053

| | |
|------------------|-----------------------|
| Size: | 3.5 Gallon |
| Color: | White |
| Material: | HDPE |
| Style: | OH Plastic Round Pail |
| Additional Info: | 90MIL, Bail |
| Case Pack: | 156 each |
| Pallet Pack: | 156 each |

INDUSTRIAL *Pail* 3.5 Gallon 90mil

ITEM NUMBERS: 39448



Technical Specifications

Material: HDPE
 Wall thickness: 0.090
 Maximum weight capacity: 68 lbs.
 Maximum capacity under lid: 481 fluid oz.
 Overflow capacity: 516 fluid oz.
 or 4.03 gal. (to the rim)

Dimensions

Diameter: 11.90 " +/- 0.010
 Height: 10.80

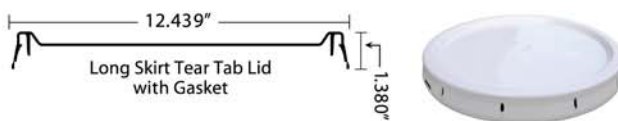
Available decoration

4 color dry offset printing &
 Heat Transfer Labels

Handle

Wire handle: 12 gauge galvanized wire
 with injection molded plastic grip
 Plastic Handle: 6 Melt HDPE plastic
 handle available

ITEM NUMBERS: 56000 LID





Technical Specifications

Material: HDPE
 Wall Thickness: 0.090

Dimensions

Diameter: 12.439" +/- 0.010

SPECIFICATIONS

| Description | Item | Material | Case Pack | Cases Per Pallet | Ship Weight | Case Cube | Maximum Print Area | Estimated Truckload Qty |
|-------------------------------------|-------|--|-----------|------------------|-------------|---------------|----------------------------|---|
| 3.5 Gallon / 448 oz. / 13.25 L .90m | 39448 |  White or Natural | 156 | 2 | 307 | 46.958 | 6-1/4" x 31-1/2", 1/2" gap | (Containers and Lids) 7,332 / 7,344 pails/ lids 48ct |
| Long Skirt Tear Tab Lid | 56000 |  White or Natural | 48 288 | 24 4 | 35 238 | 4.46 26.01 | N/A N/A | 13,776 |

See Sales for optional lids information

Specifications may vary slightly over time. The information and recommendations are provided for these products with the understanding that the purchaser or user will independently determine that the product is suitable for the intended use, and that such use, complies with all applicable laws and regulations. The data represents typical values submitted only for the user's information and consideration and does not constitute a warranty of any kind.



319 Howard Drive • Sandusky, Ohio 44870
 1-800-336-2673 • Fax: 419.626.8095
 www.e-Encore.com