

Represented by



ILLING[™]
P A C K A G I N G

Product Specification Sheet

Illing Part#

3881R

16 OZ ROUND FLINT GLASS ECONOMY MASON JAR 70/450

Part #: 3881R

Size:	16 Ounce
Color:	Natural
Material:	Glass
Style:	Round Mason Jar
Additional Info:	70/450
Case Pack:	12 each
Pallet Pack:	2,880 each



www.illingpackaging.com

Represented by



ILLINGTM
P A C K A G I N G

Product Specification Sheet

Illing Part#

3881R



ARKANSAS GLASS

ARKANSAS GLASS

(800) 527-4527

WWW.AGCC.COM

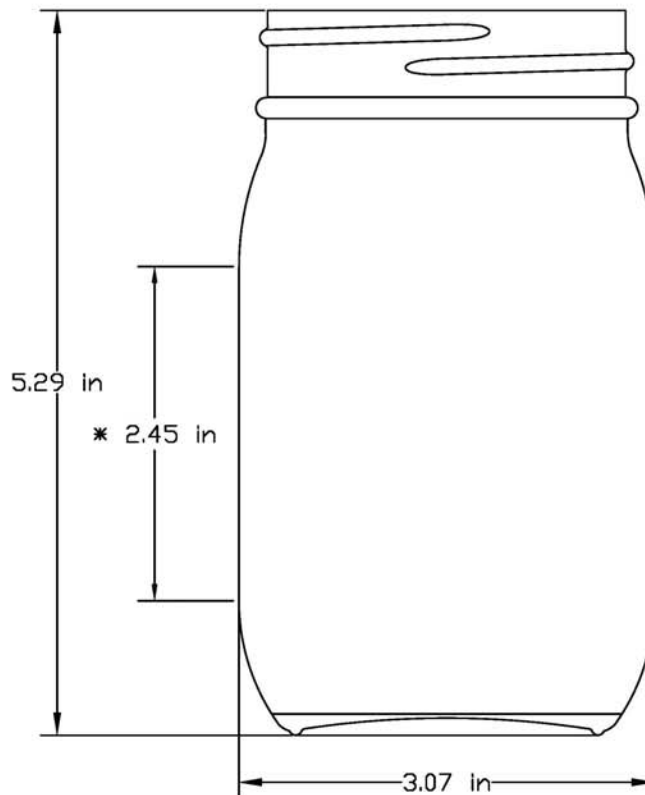
In viewing this document you acknowledge Arkansas Glass Container Corporation as the sole owner of the concepts or designs contained herein. You may not duplicate, sell, or otherwise distribute the contents of this document without express permission or license from Arkansas Glass Container Corporation.

Finish: 70-450

Height: 5.29 in

Diameter: 3.07 in

Volume/Overflow: 16.50 fl. oz



*Note: Maximum label panel shown. It is the customers responsibility to size their label accordingly.

A0016-080C

Document QC-CP-0030-02
Issued: 3/4/2014
Revision: 2

Quantitative values are approximate

Current revision supersedes any previous document