

Represented by



**ILLING**<sup>TM</sup>  
P A C K A G I N G

**Product Specification Sheet**

Illing Part#

3005SHARE

# 5 GAL WHITE HDPE OH PAIL 90 MIL UN (Y1.5/30)(Y43/S) W/ CWL & MHDL

Part #: 3005SHARE

Size:	5 Gallon
Color:	White
Material:	HDPE
Style:	OH Plastic Round Pail
Additional Info:	With Metal Handle & CWL
Case Pack:	120 each
Pallet Pack:	120 each



## Product Specifications

### 5.0 Gallon 90mil UN Pail with UN Cover

Note: \*Rated for Liquids Y1.5/30 and Solids Y43/S for Packing Group II and III (USA and Canada)

#### Multiple Uses

Dry Products  
Liquid Products

#### Product Codes

Container: **5500 Series, 55100**  
Description: 5 gallon UN Pail

Cover: **2500 Series**

Description: 5 gallon Standard UN Cover

Note: \*Multiple fitting and venting options available

#### Features

Gauge: 90 mil.  
Nominal capacity: 5.0 USG / 19.0 L  
Stack performance: 350 lbs.\*  
Tare weights: Body: 2.08 lbs. / .948 kgs  
Cover: .77 lbs. / .350 kgs.

Note: \*Ratings will be reduced with uneven load distribution.

#### Specifications with Cover

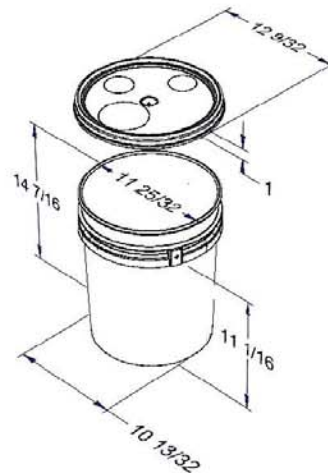
Dimensions: 12-5/16" D X 14-11/16"H  
Maximum capacity: 5.36 USG / 21.2 L  
Tare weight: 2.85 lbs. / 1.29 kgs.

#### Colors

Standard: White, Black and Natural  
Custom: Available at manufacturer's discretion

#### Decorating Options

Four color offset printing  
Print area: 33"W x 8-1/2"H  
Sleeve or pressure sensitive labeling



#### Shipping Data

Qty. per pallet/carton:  
Gross Weight (lbs./kgs.)\*\*:  
Length (in./cm.):  
Width (in./cm.):  
Height (in./cm.):

#### Bodies

240\*  
499 / 226  
48 / 122  
36 / 91.4  
45 / 114

#### Covers

1,200\*  
924 / 419  
49.5 / 126  
40 / 102  
97.5 / 248

#### Filled Containers

36 (12 per layer / 3 layers high)  
Pallet Height: 47"

Estimated truckload quantity of 5,520 bodies and covers\*\*\*

Notes: \*Quantity can vary based on customer request  
\*\*Weight does not include pallet/packaging  
\*\*\*Truckload quantity based on 53' trailer

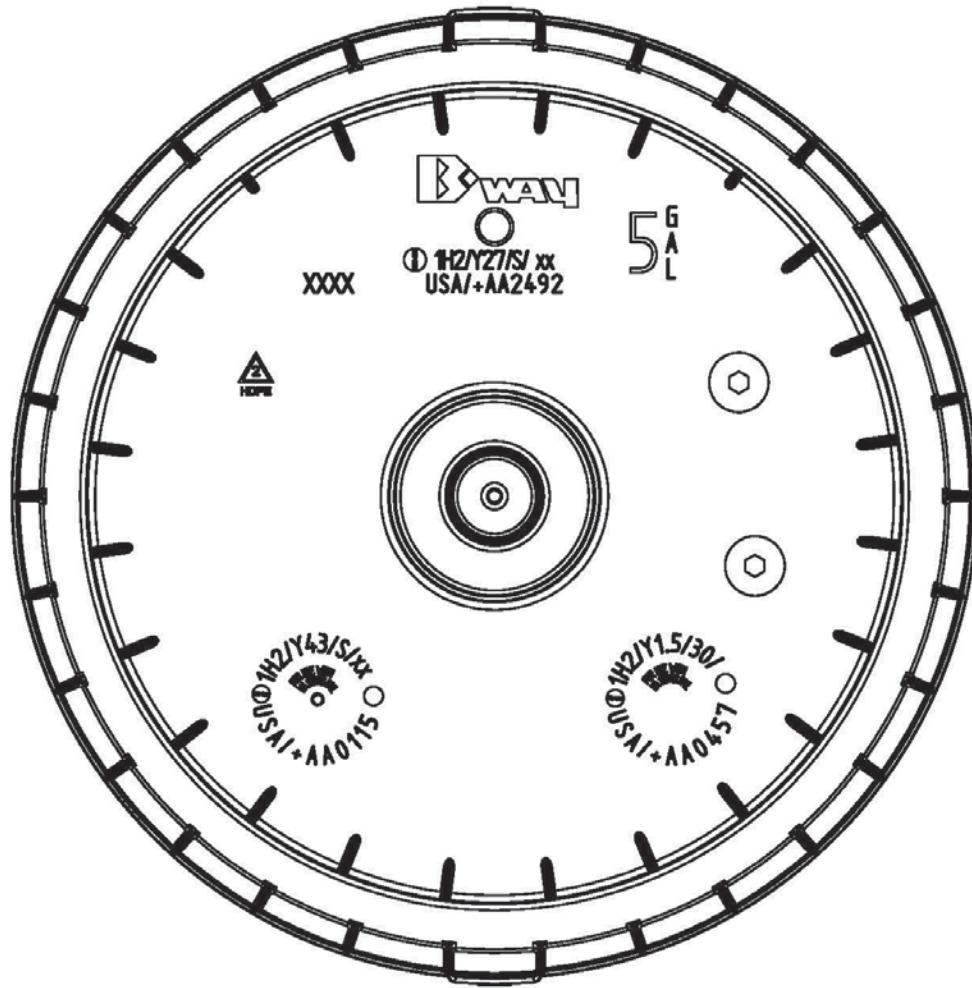
#### Materials

FDA approved materials  
Resin: Body: High-Density Polyethylene (HDPE)  
Cover: High-Density Polyethylene (HDPE)

#### Optional Carrying Handle

Wire or Plastic

MSDS Sheets available upon request



### BOTTOM OF PAIL MARKINGS

REFER TO DRAWING NUMBER P-10001 QS  
FOR DETAILED DIMENSIONS

REV	CHANGE	DATE	BY	DATE	02/23/16	
				SCALE	NTS	
				DRAWN	L. HOPKINS	5 GALLON LBR PAIL UN QUALITY SPECS
				APPRVD		DRG. No. P-10001 UN QS