

Represented by



**ILLING**<sup>™</sup>  
P A C K A G I N G

**Product Specification Sheet**

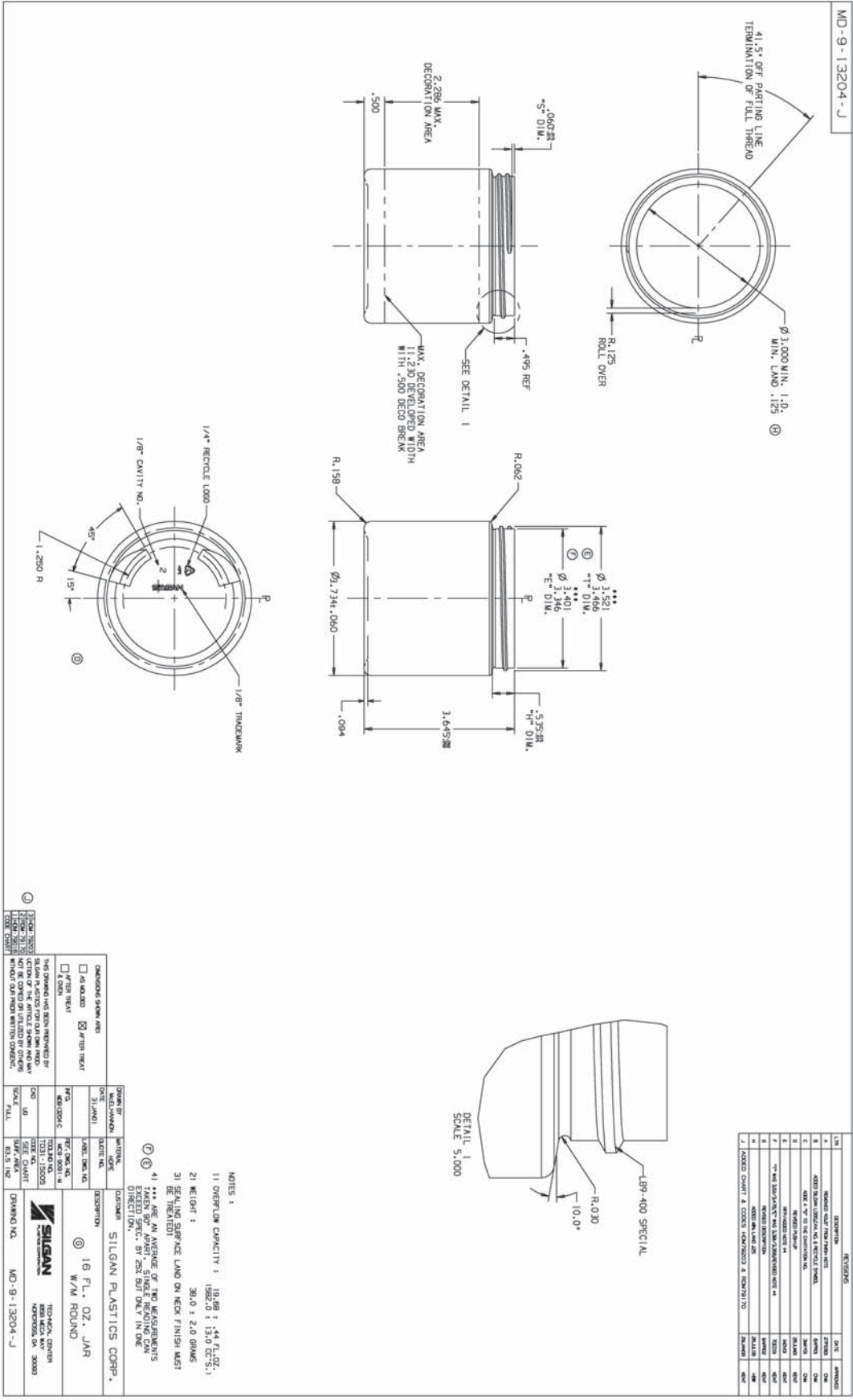
Illing Part#

3552W

# 16 OZ WHITE HDPE WIDE MOUTH BOTTLE 89-400 NECK

Part #: 3552W

Size:	16 Ounce
Color:	White
Material:	HDPE
Style:	Plastic Wide Mouth Bottle
Additional Info:	89-400 Neck
Case Pack:	144 each
Pallet Pack:	2,592 each



REV	DESCRIPTION	DATE	APPROVED
1	ISSUED FOR PRODUCTION		
2	ADD BOTTLE DIMENSIONS & RECYCLE SYMBOL		
3	ADD 1/8" TO THE CAP HEIGHT		
4	REVISED DRAWING		
5	ADD 1/8" TO THE CAP HEIGHT		
6	ADD 1/8" TO THE CAP HEIGHT		
7	ADD 1/8" TO THE CAP HEIGHT		
8	ADD 1/8" TO THE CAP HEIGHT		
9	ADD 1/8" TO THE CAP HEIGHT		
10	ADD 1/8" TO THE CAP HEIGHT		

DATE	BY	DESCRIPTION
10/12/00	JAR	ISSUED FOR PRODUCTION
10/12/00	JAR	REVISED DRAWING
10/12/00	JAR	REVISED DRAWING
10/12/00	JAR	REVISED DRAWING
10/12/00	JAR	REVISED DRAWING

<input type="checkbox"/> 16 L.O.D.	<input checked="" type="checkbox"/> AFTER TREAT
<input type="checkbox"/> 16 L.O.D.	<input checked="" type="checkbox"/> AFTER TREAT

THIS DRAWING HAS BEEN REVIEWED BY  
 SILGAN PLASTICS CORP. ON THE BASIS OF  
 THE INFORMATION PROVIDED AND IS NOT TO  
 BE CONSIDERED AS A CONTRACT DOCUMENT  
 WITHOUT OUR PRIOR WRITTEN CONSENT.

DATE: 10/12/00  
 BY: JAR  
 CHECKED BY: JAR  
 APPROVED BY: JAR

SCALE: 1:1  
 SHEET NO.: 1  
 TOTAL SHEETS: 1

DRAWING NO.: MD-9-1-3204-J

SILGAN PLASTICS CORP.  
 16 FL. OZ. JAR  
 W/M ROUND

11 OVERFLOW CAPACITY: 18.888 ± .44 FL. OZ.  
 1262.0 ± 13.0 GZ. L.  
 21 WEIGHT: 38.10 ± 2.0 GRAMS  
 3) SEALING SURFACE LAND ON NECK FINISH MUST  
 BE TRICKLE  
 4) \*\*\* ARE AN AVERAGE OF TWO MEASUREMENTS  
 EXCEPT SPEC. BY TEST BUILT ONLY IN ONE  
 DIRECTION.

NOTES:

DETAIL 1: 5,000 SCALE