

Represented by



ILLING[™]
P A C K A G I N G

Product Specification Sheet

Illing Part#

3525

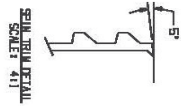
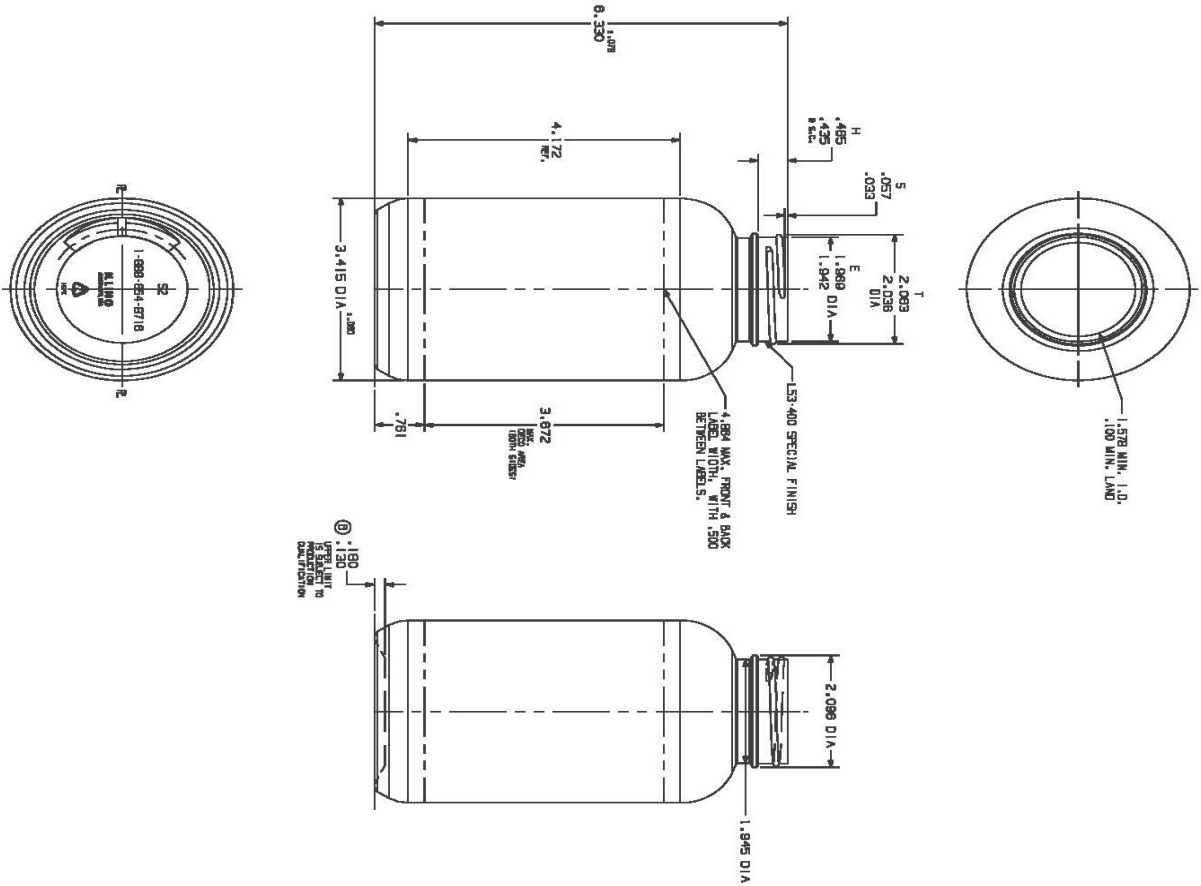
750 CC WHITE HDPE BOSTON ROUND BOTTLE 53-400 NECK

Part #: 3525

Size:	750 CC
Color:	White
Material:	HDPE
Style:	Plastic Boston Round Bottle
Additional Info:	53-400 Neck
Case Pack:	102 each
Pallet Pack:	2,448 each



E-03471-01-B



SEMI-FULL DETAIL
SCALE: 4:1

- NOTES :
- 1) OVERFILL CAPACITY : 28.59 ± .51 FL. OZ. (782.12 ± 15.0 CC'S.)
 - 2) WEIGHT : 45.0 ± 3.0 GRAMS
 - 3) MIN. WALL : .020" IN LABEL PANEL
 - MIN. WALL AT BASE CORNER: .018"

TEMPORARY DRAWINGS
THIS DRAWING IS A PRELIMINARY DRAWING AND IS NOT TO BE USED FOR PRODUCTION. IT IS SUBJECT TO CHANGE WITHOUT NOTICE. THE USER SHALL BE RESPONSIBLE FOR VERIFYING DIMENSIONS AND SPECIFICATIONS TO BE USED AFTER THE PRODUCT IS MANUFACTURED.

DATE	BY	DESCRIPTION
01/11/2018	ILLING	750 ML C/ROUND
01/11/2018	ILLING	750 ML C/ROUND
01/11/2018	ILLING	750 ML C/ROUND