

Represented by



ILLING[™]
P A C K A G I N G

Product Specification Sheet

Illing Part#

3EC3201L

1 GALLON WHITE HDPE EZ TEAR COVER

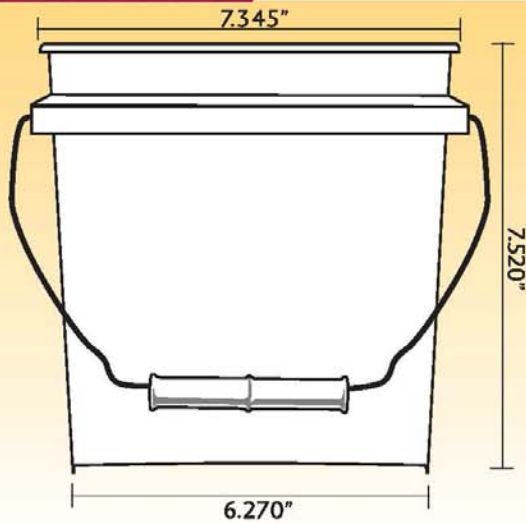
Part #: 3EC3201L

Size:	1 Gallon
Color:	White
Material:	HDPE
Style:	Plastic EZ Tear Cover
Additional Info:	
Case Pack:	108 each
Pallet Pack:	3,240 each



1 Gallon wire handle

Item Numbers: LT704128



1 Gallon Pail

Material: HDPE
Wall Thickness: 0.055
Maximum Heat: 180° F.
Max Weight Capacity: 20 lbs.

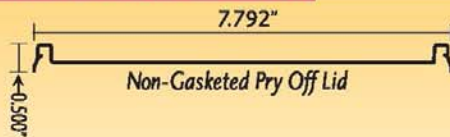
Dimensions

Diameter: 7.345" +/- 0.015
Height: 7.520"
Maximum Fill Level: 128 fluid ounces
4 color offset printing capability

Handle

Handle: 12 gauge galvanized wire with injection molded plastic grip

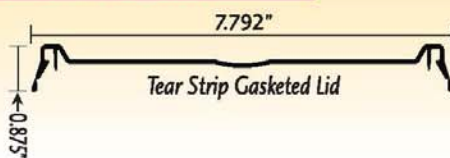
Item Numbers: 10000 & PR704



1 Gallon Pry Off Lid - 10000 & PR704

Material: HDPE
Wall Thickness: 0.058
Diameter: 7.609 +/- 0.015

Item Numbers: 3EC3201L



1 Gallon Tear Strip Gasketed Lid - 12000

Material: HDPE
Wall Thickness: 0.070
Diameter: 7.792 +/- 0.015

Description	Item	Material	Case Pack	Cases Per Pallet	Ship Weight	Case Cube	Maximum Print Area	*Estimated Truckload Quantity (Containers and Lids)
<p>1 Gallon Tall wire handle</p> <p>7.345"</p> <p>7.520"</p> <p>7.609" Non-Gasketed Pry off Lid</p> <p>7.792" Tear Strip Gasketed Lid</p>	LT704128	HDPE White or Natural	540	2	292	40.87	4-1/2" x 20-3/8", 1/2" gap	
	PR704	HDPE White or Natural	270	24	35	3.48	N/A	28,080
	12000	HDPE White or Natural	108	30	22	2.18	N/A	22,680

