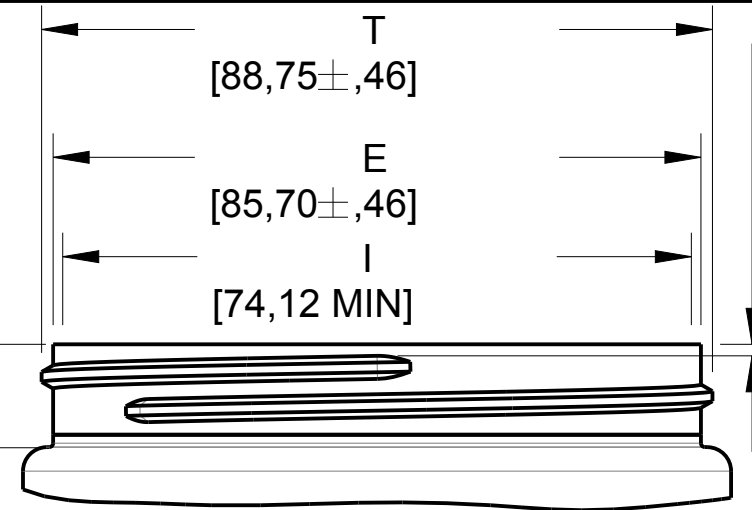
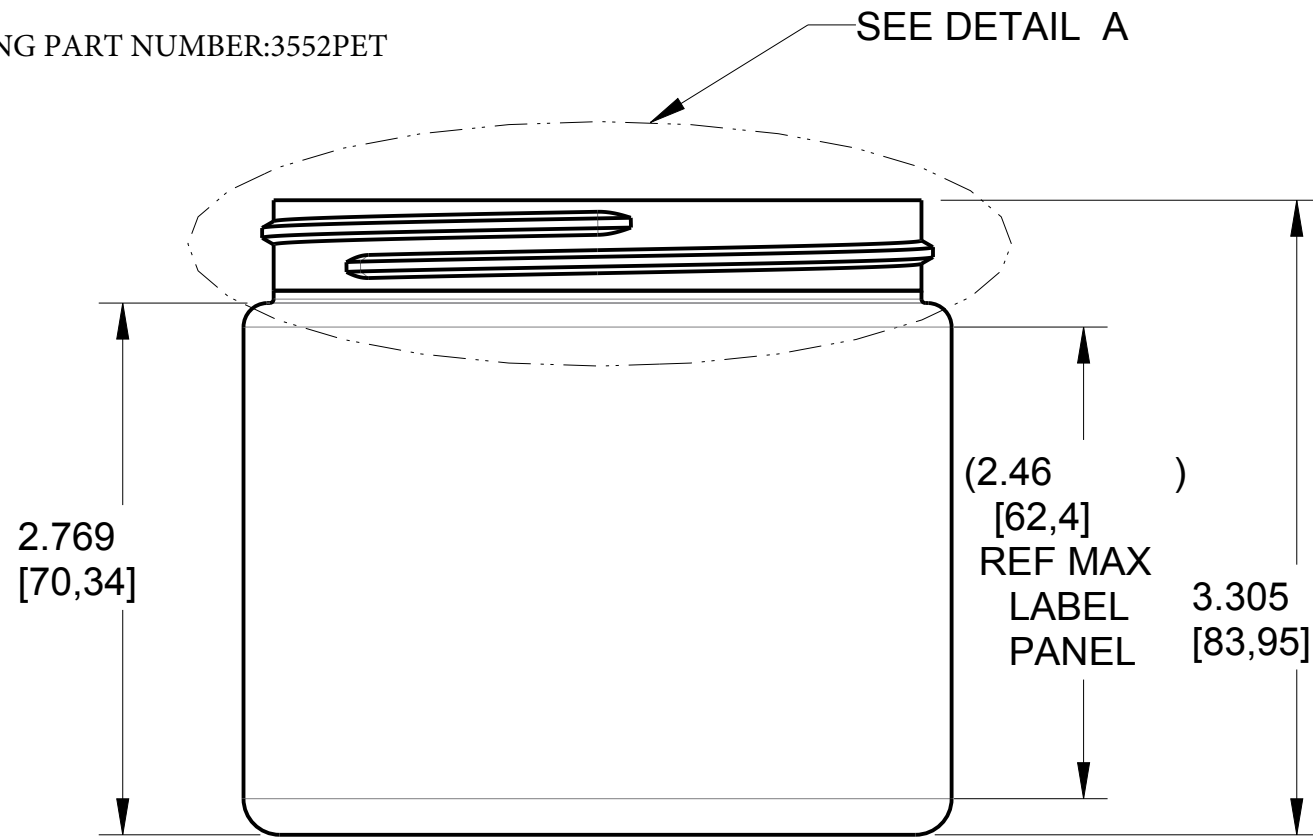


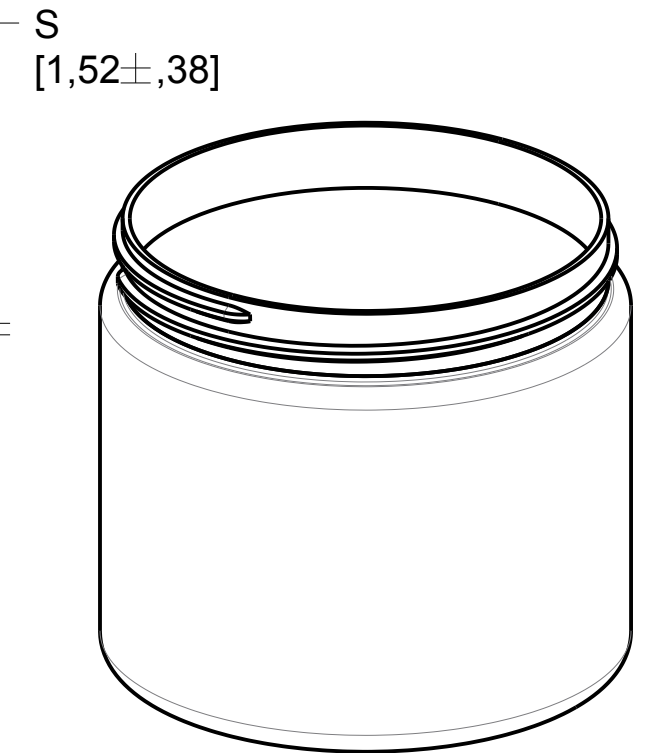


Distributed by:

ILLING PART NUMBER:3552PET

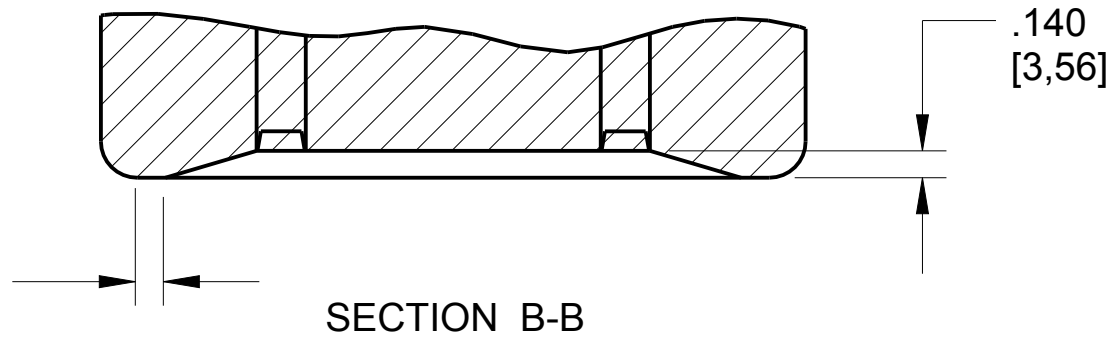
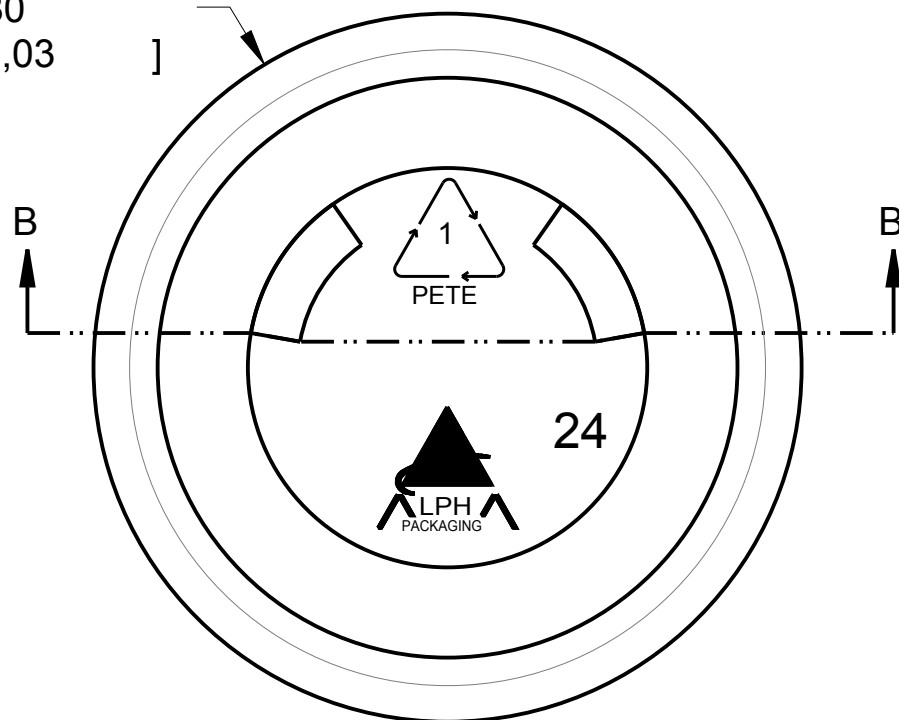


DETAIL A
SCALE 1/1



SCALE 3/4

∅ 3.688±.080
[93,68±2,03]



SECTION B-B

Neck Finish: L89SP400		DISCLAIMER: Alpha Packaging assumes no responsibility for form, fit and function of closures, accessories, and/or shelf life and compatability of intended contents with this bottle.				
© Alpha Packaging, Inc.	Min Thk	Color	Weight	Std. Pack	Revisions	
All measurements are in inches, [Metric]	.012[.30]	All Colors	39.5 Gms 2	245, Stack	A	Gm Wt was 42.5, sct 9/23/03
					B	Ovfl was 516, 5/13/04 sct
					C	Pack was 144.6/26/09 sct
					D	ADD METRIC DIM. 12/8/10 sct
					E	"H" was .535±.015, 04-21-15 RAB
Neck Dimensions:					Tolerance: Where not shown Decimal ±0.05 [1,27] Angular ±1°	
T = 3.494±.018 E = 3.374±.018 H = 0.550±.030 I = 2.918 MIN S = 0.060±.015					Material: PET	
		Overflow Capacity: 552 ml ± 11			Scale: 1/1	
					Drawn By: SCT Date: 12-Nov-02	
					DwgRev: E	
					Approved By: SJ	
					Drawing NO: 16JR1SS89L400	



Alpha Packaging, Inc.
(314) 427-4300--(800) 421-4772

Scale: 1/1 Drawn By: SCT Date: 12-Nov-02

16oz WIDE MOUTH JAR,
89-400 CT, PET

Approved By: SJ Drawing NO: 16JR1SS89L400