

Represented by



ILLING[™]
P A C K A G I N G

Product Specification Sheet

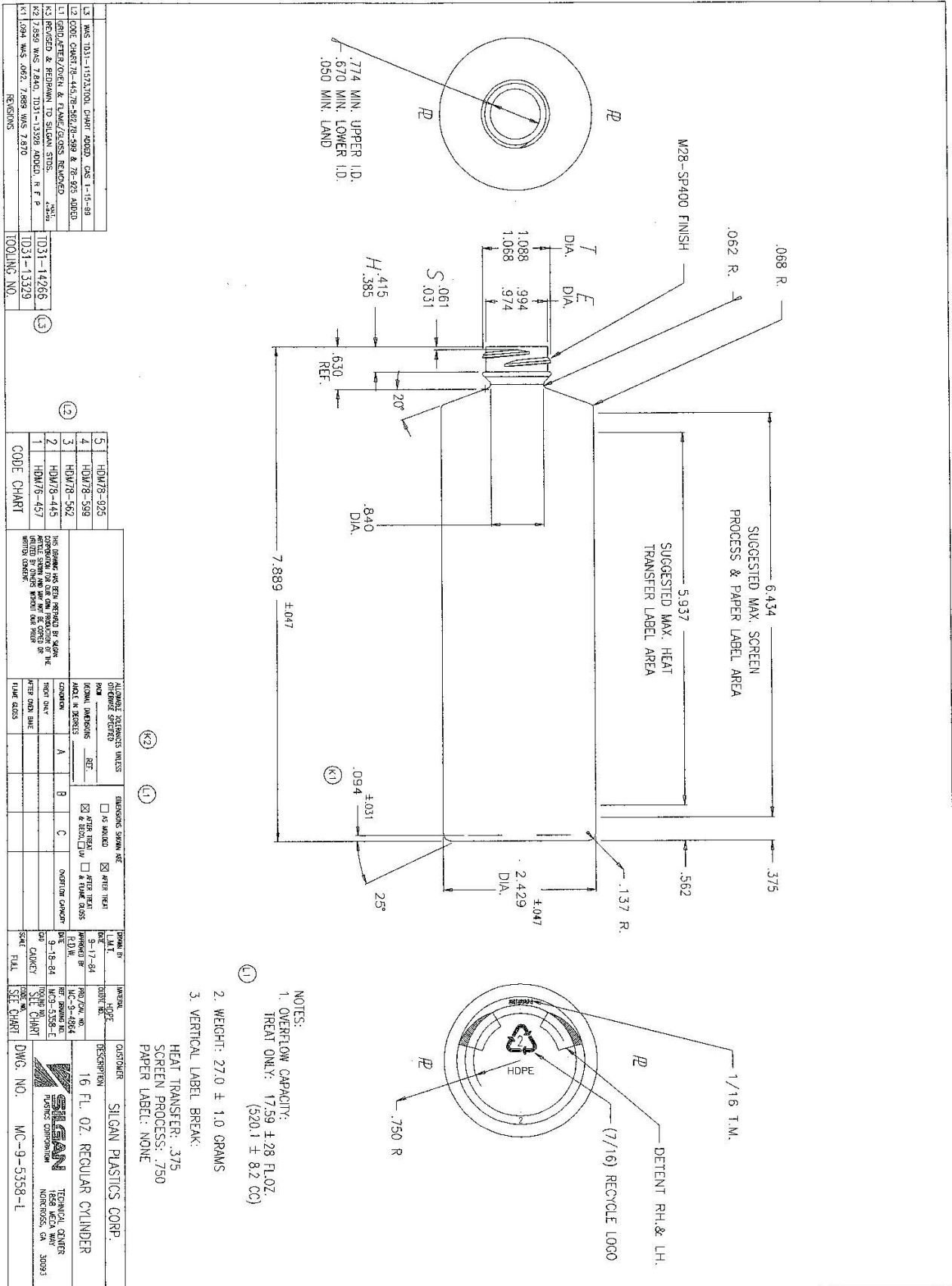
Illing Part#

3542W

16 OZ WHITE HDPE CYLINDER BOTTLE 28-400 NECK

Part #: 3542W

Size:	16 Ounce
Color:	White
Material:	HDPE
Style:	Plastic Cylinder Bottle
Additional Info:	28-400 Neck
Case Pack:	153 each
Pallet Pack:	3,672 each



- NOTES:
- OVERFLOW CAPACITY: TREAT ONLY: 17.59 ± .28 FLOZ. (520.1 ± 8.2 CC)
 - WEIGHT: 27.0 ± 1.0 GRAMS
 - VERTICAL LABEL BREAK: HEAT TRANSFER: .375 SCREEN PROCESS: 750 PAPER LABEL: NONE

REVISIONS

13	WAS 1031-11521100, CUMUL. CORR. APPROD. CAS. 1-15-88
12	COPE CORRT. IN-4457R-5827R-592 & 782-928 APPROD.
11	REPLACED/OPEN & TAPED DESIGN. REVISIONS
10	DESIGN & PREPARED TO SILGANI STD. 1031-14268
9	WAS 1031-14268, 1031-13329 APPROD. R. F. F.
8	WAS 1031-13329, 1031-13329 APPROD. R. F. F.
7	WAS 1031-13329, 1031-13329 APPROD. R. F. F.
6	WAS 1031-13329, 1031-13329 APPROD. R. F. F.
5	WAS 1031-13329, 1031-13329 APPROD. R. F. F.
4	WAS 1031-13329, 1031-13329 APPROD. R. F. F.
3	WAS 1031-13329, 1031-13329 APPROD. R. F. F.
2	WAS 1031-13329, 1031-13329 APPROD. R. F. F.
1	WAS 1031-13329, 1031-13329 APPROD. R. F. F.

CODE CHART

5	HDW/78-525
4	HDW/78-599
3	HDW/78-562
2	HDW/78-445
1	HDW/78-457

HIG DRAWING HAS BEEN PREPARED BY SILGANI PLASTICS CORP. AND IS THE PROPERTY OF SILGANI PLASTICS CORP. ALL RIGHTS RESERVED. NO PART OF THIS DRAWING MAY BE REPRODUCED OR TRANSMITTED IN ANY FORM OR BY ANY MEANS WITHOUT THE WRITTEN CONSENT OF SILGANI PLASTICS CORP.

MATERIAL SPECIFICATIONS UNLESS OTHERWISE SPECIFIED	AS SUPPLIED	AS SUPPLIED
	AFTER TREAT	AFTER TREAT
TEMPERATURE	AS SUPPLIED	AS SUPPLIED
STRENGTH	A	B
OTHER		

DESCRIPTION	SILGANI PLASTICS CORP.
16 FL. OZ. REGULAR CYLINDER	
TEMPORAL CENTER	1559 MESA WAY
INDUSTRIAL CORPORATION	INDUSTRIAL, CA 95033
DWG. NO.	MC-9-5358-L