

Represented by



## Product Specification Sheet

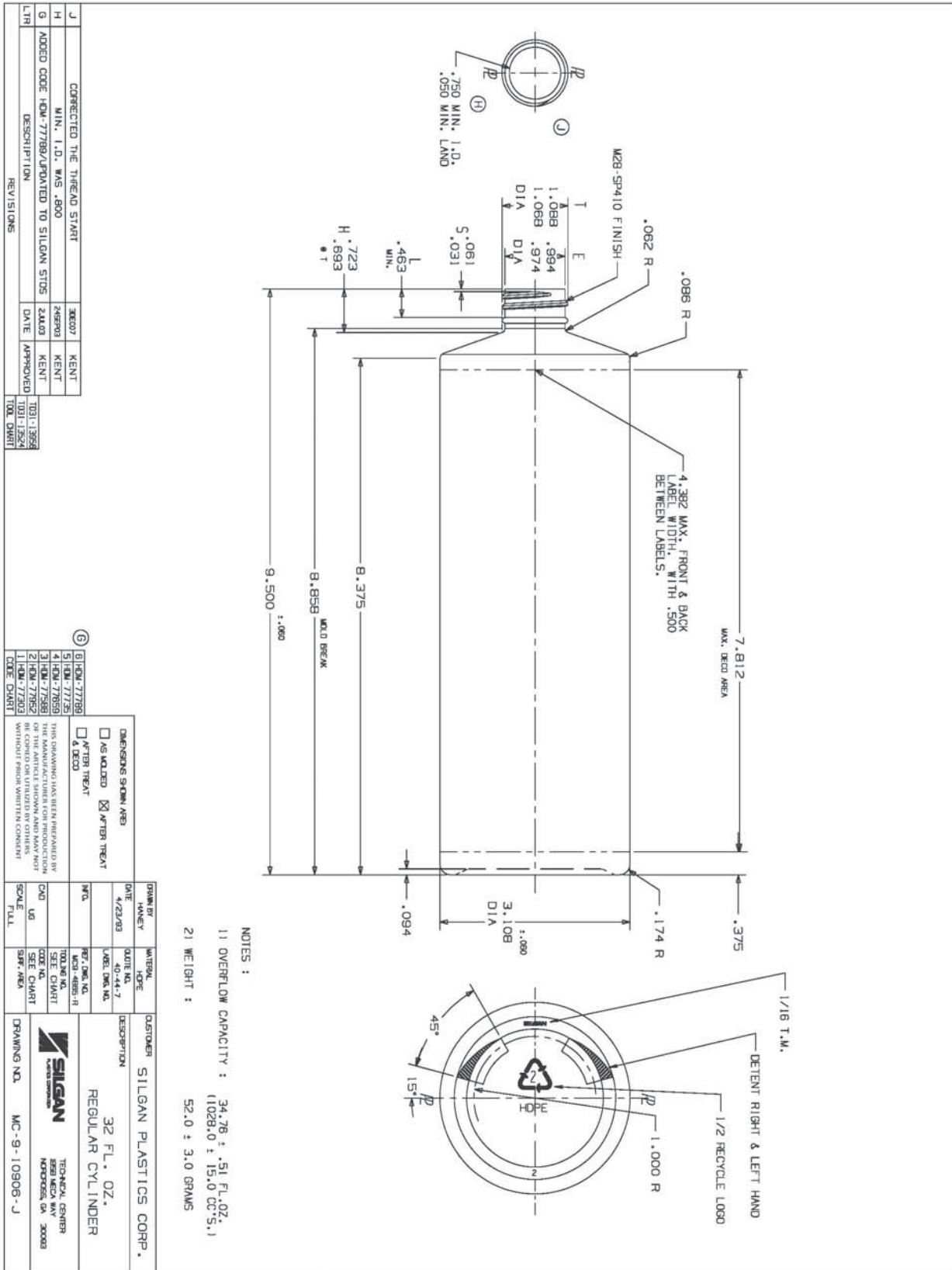
Illing Part#

3503

# 32 OZ NATURAL HDPE CYLINDER BOTTLE 28-410 NECK

Part #: 3503

Size:	32 Ounce
Color:	Natural
Material:	HDPE
Style:	Plastic Cylinder Bottle
Additional Info:	28-410 Neck
Case Pack:	66 each
Pallet Pack:	1,188 each



J	CORRECTED THE THREAD START	30007	KENT
H	MIN. I.D. WAS .800	24090	KENT
G	ADDED CODE H0M-7789/UPDATED TO SILGAN STDS	24009	KENT
L/R	DESCRIPTION	DATE	APPROVED
REVISIONS			

T01	1/28/25	
T02	1/28/25	
T03	1/28/25	
T04	1/28/25	
T05	1/28/25	
T06	1/28/25	
T07	1/28/25	
T08	1/28/25	
T09	1/28/25	
T10	1/28/25	
T11	1/28/25	
T12	1/28/25	
T13	1/28/25	
T14	1/28/25	
T15	1/28/25	
T16	1/28/25	
T17	1/28/25	
T18	1/28/25	
T19	1/28/25	
T20	1/28/25	
T21	1/28/25	
T22	1/28/25	
T23	1/28/25	
T24	1/28/25	
T25	1/28/25	
T26	1/28/25	
T27	1/28/25	
T28	1/28/25	
T29	1/28/25	
T30	1/28/25	
T31	1/28/25	
T32	1/28/25	
T33	1/28/25	
T34	1/28/25	
T35	1/28/25	
T36	1/28/25	
T37	1/28/25	
T38	1/28/25	
T39	1/28/25	
T40	1/28/25	
T41	1/28/25	
T42	1/28/25	
T43	1/28/25	
T44	1/28/25	
T45	1/28/25	
T46	1/28/25	
T47	1/28/25	
T48	1/28/25	
T49	1/28/25	
T50	1/28/25	
T51	1/28/25	
T52	1/28/25	
T53	1/28/25	
T54	1/28/25	
T55	1/28/25	
T56	1/28/25	
T57	1/28/25	
T58	1/28/25	
T59	1/28/25	
T60	1/28/25	
T61	1/28/25	
T62	1/28/25	
T63	1/28/25	
T64	1/28/25	
T65	1/28/25	
T66	1/28/25	
T67	1/28/25	
T68	1/28/25	
T69	1/28/25	
T70	1/28/25	
T71	1/28/25	
T72	1/28/25	
T73	1/28/25	
T74	1/28/25	
T75	1/28/25	
T76	1/28/25	
T77	1/28/25	
T78	1/28/25	
T79	1/28/25	
T80	1/28/25	
T81	1/28/25	
T82	1/28/25	
T83	1/28/25	
T84	1/28/25	
T85	1/28/25	
T86	1/28/25	
T87	1/28/25	
T88	1/28/25	
T89	1/28/25	
T90	1/28/25	
T91	1/28/25	
T92	1/28/25	
T93	1/28/25	
T94	1/28/25	
T95	1/28/25	
T96	1/28/25	
T97	1/28/25	
T98	1/28/25	
T99	1/28/25	
T100	1/28/25	

5	H0M-77789	
4	H0M-77859	
3	H0M-77889	
2	H0M-77852	
1	H0M-77852	
	CODE 02481	

<input type="checkbox"/> AS MOULDED <input type="checkbox"/> AFTER TREAT <input checked="" type="checkbox"/> AFTER TREAT & DEC'D		DIMENSIONS SHOWN ARE:	
DATE	4/23/93	DATE NO.	40-44-7
BY	HANEV	LABEL ORG. NO.	
SCALE	1:1	TOL.ING. NO.	100-4895-R
SCALE FULL	US	SEE CLAVIT	
		SYM. NO.	
CUSTOMER: SILGAN PLASTICS CORP.		DESCRIPTION: 32 FL. OZ. REGULAR CYLINDER	
DRAWING NO. MC-9-10906-J		TECHNICAL CENTER 893 MECA WAY KATONAH, CT 06039	

NOTES :

1) OVERFLOW CAPACITY : 34.76 ± .51 FL.OZ.  
 (1028.0 ± 15.0 CC'S.)

2) WEIGHT : 52.0 ± 3.0 GRAMS