

Represented by



**ILLING**<sup>™</sup>  
P A C K A G I N G

**Product Specification Sheet**

Illing Part#

3011

## 5 GALLON WHITE HDPE TEAR STRIP COVER WITH RIEKE FLEX INSERT

Part #: 3011

Size:	5 Gallon
Color:	White
Material:	HDPE
Style:	Plastic Tear Strip Cover
Additional Info:	With Rieke Flex Insert
Case Pack:	240 each
Pallet Pack:	240 each



**Product Specifications**

**5.0 Gallon 90 mil LBR Pail with Tear Skirt Cover**

**Multiple Uses**

Dry Products  
Liquid Products

**Product Codes**

Container: **5500 Series, 55100**  
Description: 5.0 gallon 90 mil Pail

Cover: **6500 Series**

Description: Standard Tear Skirt Cover

Note: \*Multiple fitting and venting options available

**Features**

Gauge: 90 mil.  
Nominal capacity: 5.0 USG / 19.0 L  
Stack performance: 350 lbs.\*  
Tare weights: Body: 2.08 lbs. / .948 kgs  
Cover: .66 lbs. / .300 kgs.

Note: \*Ratings will be reduced with uneven load distribution.

**Specifications with Cover**

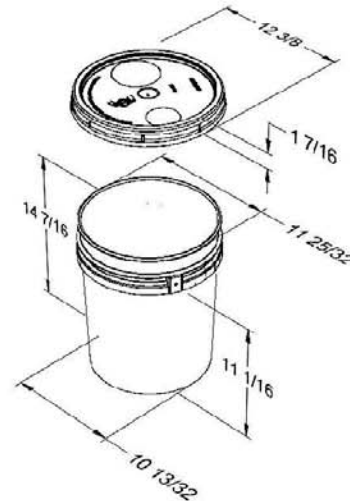
Dimensions: 12-3/8" D X 14-11/16"H  
Maximum capacity: 5.36 USG / 21.2 L  
Tare weight: 2.74 lbs. / 1.25 kgs.

**Colors**

Standard: White, Black and Natural  
Custom: Available at manufacturer's discretion

**Decorating Options**

Four color offset printing  
Print area: 33"W x 8-1/2"H  
Sleeve or pressure sensitive labeling



**Shipping Data**

Qty. per pallet/carton:  
Gross Weight (lbs/kgs.)\*\*:  
Length (in./cm.):  
Width (in./cm.):  
Height (in./cm.):

**Bodies**

240\*  
499 / 26  
48 / 122  
36 / 91.4  
45 / 114

**Covers**

1,200\*  
792 / 359  
50 / 127  
37.5 / 95.3  
96 / 243.8

**Filled Containers**

36 (12 per layer / 3 layers high)  
Pallet Height: 47"

Estimated truckload quantity of 5,520 bodies and covers\*\*\*

Notes: \*Quantity can vary based on customer request  
\*\*Weight does not include pallet/packaging  
\*\*\*Truckload quantity based on 53' trailer

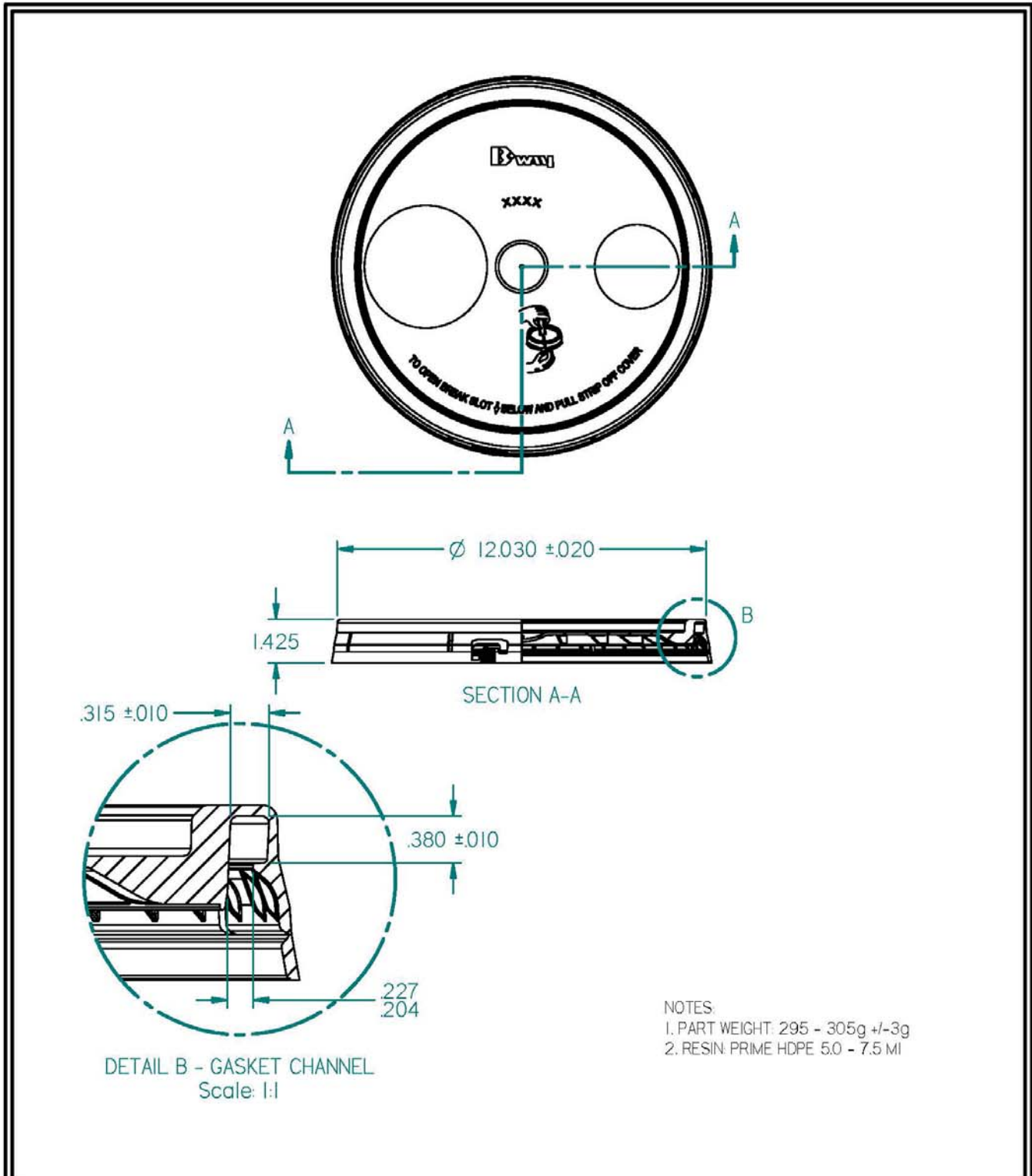
**Materials**

FDA approved materials  
Resin: Body: High-Density Polyethylene (HDPE)  
Cover: High-Density Polyethylene (HDPE)

MSDS Sheets available upon request

**Optional Carrying Handle**

Wire or Plastic



- NOTES:  
 1. PART WEIGHT: 295 - 305g +/-3g  
 2. RESIN: PRIME HDPE 5.0 - 7.5 MI

REV	CHANGE	DATE	BY	DATE: 2/12/16	
0	Created Quality Spec	2/12/16	WLH	SCALE	
				DRAWN: L. Hopkins	TEAR SKIRT COVER QUALITY SPECS
				APPRVD	DRG. No. C-10002 QS