

Represented by



ILLINGTM
P A C K A G I N G

Product Specification Sheet

Illing Part#

3010

5 GALLON WHITE HDPE TEAR STRIP COVER

Part #: 3010

Size:	5 Gallon
Color:	White
Material:	HDPE
Style:	Plastic Tear Strip Cover
Additional Info:	
Case Pack:	240 each
Pallet Pack:	240 each



Product Specifications

5.0 Gallon 90 mil LBR Pail with Tear Skirt Cover

Multiple Uses

Dry Products
Liquid Products

Product Codes

Container: **5500 Series, 55100**
Description: 5.0 gallon 90 mil Pail

Cover: **6500 Series**

Description: Standard Tear Skirt Cover
Note: *Multiple fitting and venting options available

Features

Gauge: 90 mil.
Nominal capacity: 5.0 USG / 19.0 L
Stack performance: 350 lbs.*
Tare weights: Body: 2.08 lbs. / .948 kgs
Cover: .66 lbs. / .300 kgs.

Note: *Ratings will be reduced with uneven load distribution.

Specifications with Cover

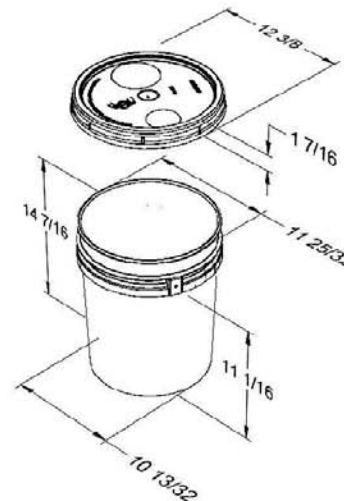
Dimensions: 12-3/8" D X 14-11/16"H
Maximum capacity: 5.36 USG / 21.2 L
Tare weight: 2.74 lbs. / 1.25 kgs.

Colors

Standard: White, Black and Natural
Custom: Available at manufacturer's discretion

Decorating Options

Four color offset printing
Print area: 33"W x 8-1/2"H
Sleeve or pressure sensitive labeling



Shipping Data

Qty. per pallet/carton:
Gross Weight (lbs/kgs.)**:
Length (in./cm.):
Width (in./cm.):
Height (in./cm.):

Bodies

240*
499 / 26
48 / 122
36 / 91.4
45 / 114

Covers

1,200*
792 / 359
50 / 127
37.5 / 95.3
96 / 243.8

Filled Containers

36 (12 per layer / 3 layers high)
Pallet Height: 47"

Estimated truckload quantity of 5,520 bodies and covers***

Notes: *Quantity can vary based on customer request
**Weight does not include pallet/packaging
***Truckload quantity based on 53' trailer

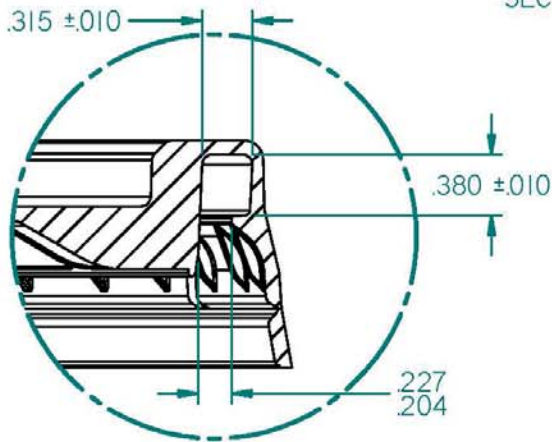
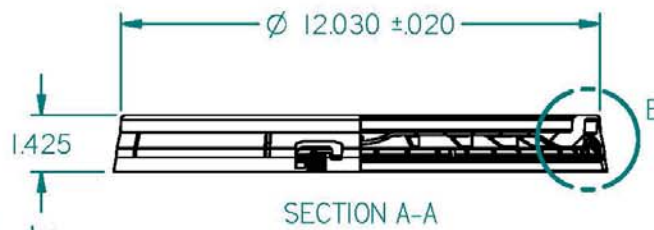
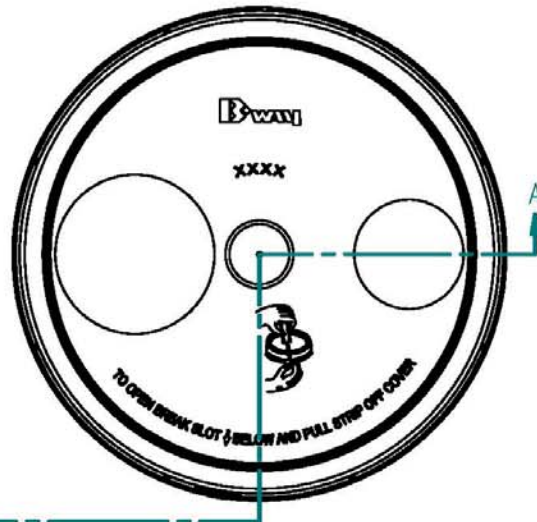
Materials

FDA approved materials
Resin: Body: High-Density Polyethylene (HDPE)
Cover: High-Density Polyethylene (HDPE)

MSDS Sheets available upon request

Optional Carrying Handle

Wire or Plastic



DETAIL B - GASKET CHANNEL
Scale: 1:1

- NOTES:
1. PART WEIGHT: 295 - 305g +/-3g
2. RESIN: PRIME HDPE 5.0 - 7.5 MI

REV	CHANGE	DATE	BY	DATE: 2/12/16
0	Created Quality Spec	2/12/16	WLH	SCALE
				DRAWN L. Hopkins
				APPRVD



TEAR SKIRT COVER QUALITY SPECS

DRG. No. C-10002 QS