

Represented by



ILLING[™]
P A C K A G I N G

Product Specification Sheet

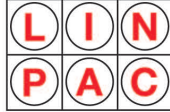
Illing Part#

3064ETWLT

5 GAL WHT HDPE EZ TEAR TAB CVR W/ WHT GSKT LIGHT WEIGHT TE FDA

Part #: 3064ETWLT

Size:	5 Gallon
Color:	White
Material:	HDPE
Style:	Plastic Round Cover
Additional Info:	White Gasket, Light Weight, FDA Approved
Case Pack:	48 each
Pallet Pack:	1,152 each



Ropak Packaging

Product Specifications

A MEMBER OF THE LIMPAC GROUP OF COMPANIES

Corporate Office

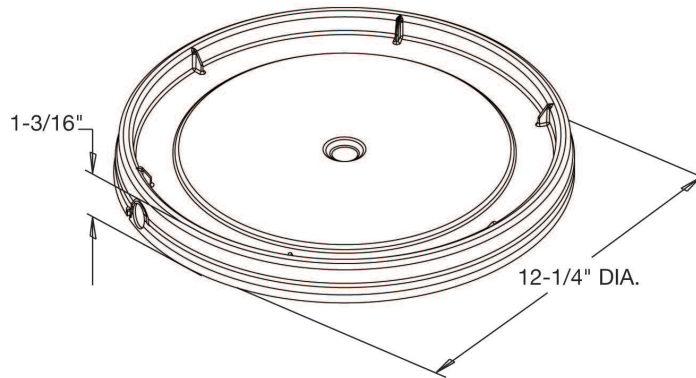
P.O. Box 8628, Fountain Valley, CA 92728-8628

10540 Talbert Ave., Ste. 200W, Fountain Valley, CA 92708-6027

Tel 714.845.2845 Fax 714.845.2846

www.ropakcorp.com

Tamper-Evident Lightweight Round EZ Cover® (LTGL)



Features

- EZ Cover® design with Ring Pull®
- EZ to open and reseal
- SBR gasket for liquid applications

Used with 12-3/8" Diameter Bodies

Models	Nominal capacity
C127	3.2-gallon
R038/R039	3.5-gallon
R358	3.5-gallon
R047/R049/R04G	4.25-gallon
R458	4.5-gallon
R057/R058/R059/R05G	5.0-gallon
C538/C539	5.3-gallon
C549	5.3-gallon
R068/R069	6.0-gallon

Product Weight

LTGL: .43 lbs. / .20 kgs.

Shipping Data

Qty. per pallet/carton:	1,152 (24 boxes of 48)
Length (in./cm.):	48/121.9
Width (in./cm.):	40/101.6
Height (in./cm.):	72/183

Materials

- Resin: Prime High Density Polyethylene (HDPE)
- FDA and USDA approved materials
- MSDS Sheets available upon request