

Represented by



ILLING[™]
P A C K A G I N G

Product Specification Sheet

Illing Part#

3EZDH

2 GALLON WHITE PP RECT EZ STOR COVER DRY SEAL

Part #: 3EZDH

Size:	2 Gallon
Color:	White
Material:	PP
Style:	Plastic Rectangle Cover
Additional Info:	Dry Seal
Case Pack:	100 each
Pallet Pack:	3,000 each



Ropak Packaging

Product Specifications

2-Gallon EZ STOR® Container with Hinged Cover

Multiple Uses

Dry Products

Product Codes

Container: **E027**

Description: 2-gallon rectangular can

Cover: **E2DR**

Description: Dry seal, tamper-evident, hinged, EZ open & close cover with Ring Pull™

Features

Gauge: 60 mil.
Nominal capacity: 2.0 USG / 7.6 L
Stack performance: 140 lbs.*
Tare weights: Body: .72 lbs. / .33 kgs.
Cover: .20 lbs. / .09 kgs.

Note: *Ratings will be reduced with uneven load distribution.

Specifications with Cover

Dimensions: 9-3/4" L X 7-3/4" W X 9-5/8" H*
Maximum capacity: 2.11 USG / 8 L
Tare weight: .92 lbs. / .42 kgs.

Note: *Based on HDPE body

Colors

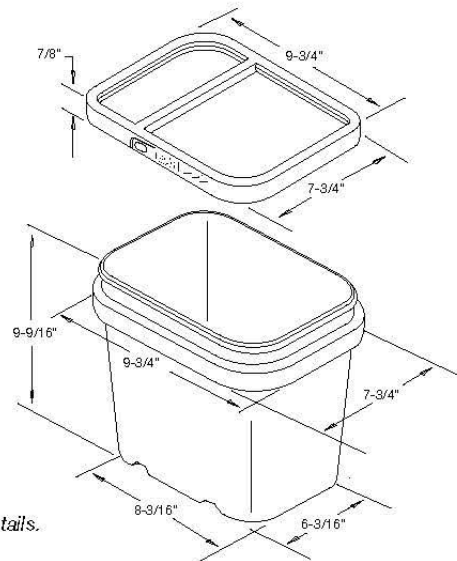
Standard: White, Black, Natural and Clear
Custom: Available at manufacturer's discretion

Decorating Options*

Four or six color offset printing**
Sleeve or pressure sensitive labeling

Note: **See EZ Stor Decoration Summary for further details.

**Where available



Shipping Data

Qty. per pallet:	400	3,000 (30 boxes of 100)*
Gross Weight (lbs./kgs.):	288/132	600/270
Den. (lbs./C.F./kgs./m3):	7.3/117.4	8.6/135.9
Length (in./cm.):	49.0/124.5	42/106.7
Width (in./cm.):	40.0/101.6	37/94
Height (in./cm.):	35.0/88.9	78/198.1

Estimated truckload quantity of 17,600 bodies and covers***

Bodies

Covers

Filled Containers

125 (25 per layer / 5 layers high)
Pallet height: 52.5"

Notes: *Bulk pack of 1200 is also available

**Weight does not include pallet / packaging

***Truckload quantity based on 48' trailer

Materials

FDA approved materials
Resin: Body: High Density Polyethylene (HDPE)
or Clear Polypropylene
Cover: Polypropylene (PP)
MSDS Sheets available upon request

Optional carrying handles

F.O.B. – ROPAK Facilities