

Represented by



## Product Specification Sheet

Illing Part#

3EC3052

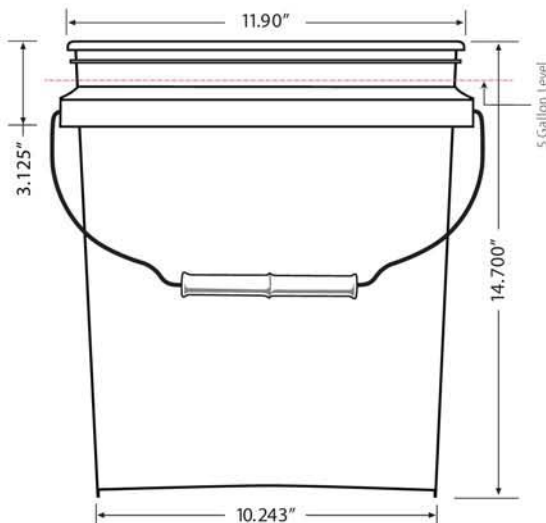
# 5 GALLON WHITE HDPE OH PAIL 90 MIL WITH METAL BAIL

Part #: 3EC3052

Size:	5 Gallon
Color:	White
Material:	HDPE
Style:	OH Plastic Round Pail
Additional Info:	FDA Approved
Case Pack:	144 each
Pallet Pack:	144 each

# INDUSTRIAL *Pail* 5 Gallon .90mil

Item Numbers: 51677



Technical Specifications

Material: HDPE  
 Wall Thickness: 0.090  
 Maximum Weight Capacity: 84 lbs.  
 Thermal Range: -38°C (-36°F) to 82°C (180°F)  
 Maximum Capacity Under Lid: 672 fluid ounces  
 Overflow Capacity: 722 fluid ounces or 5.64 gal. (to the rim)

Dimensions

Diameter: 11.90" +/- 0.015  
 Height: 14.700"

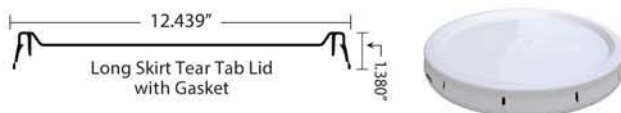
Available decoration

4 color dry offset printing & heat transfer labels capability

Handle

Wire handle: 12 gauge galvanized wire with injection molded plastic grip  
 Plastic handle: 6 Melt HDPE available

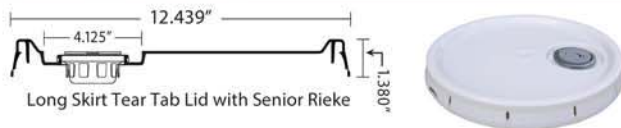
Item Numbers: 56000 Lid



Technical Specifications

Material: HDPE  
 Wall Thickness: 0.090  
 Diameter: 12.439" +/- 0.010

Item Numbers: 56700 Lid



Technical Specifications

Material: HDPE  
 Wall Thickness: 0.090  
 Diameter: 12.439" +/- 0.010

Specifications

Description	Item	Material	Case Pack	Cases Per Pallet	Ship Weight	Case Cube	Maximum Print Area	Estimated Truckload Qty
5 Gallon / 640oz. / 18.9 L .90m	51640	HDPE White or Natural	144	2	348	50.07	8-1/4" x 32-3/4", 1/2" gap	(Containers and Lids) 6,912-13,248
Long Skirt	56000	HDPE White or Natural	48 / 288	24 / 4	35 / 238	4.46 / 26.01	N/A	
Long Skirt Tear Tab with Senior Riecke	56700	HDPE White or Natural	48 / 288	24 / 4	38 / 238	4.46 / 26.01	N/A	

See Sales for optional lids information

Specifications may vary slightly over time. The information and recommendations are provided for these products with the understanding that the purchaser or user will independently determine that the product is suitable for the intended use, and that such use, complies with all applicable laws and regulations. The data represents typical values submitted only for the user's information and consideration and does not constitute a warranty of any kind.



319 Howard Drive • Sandusky, Ohio 44870  
 1-800-336-2673 • Fax: 419.626.8095  
 www.e-Encore.com