

Represented by



**ILLING**<sup>™</sup>  
P A C K A G I N G

**Product Specification Sheet**

Illing Part#

3E538DIA

# 20 LITER WHITE PP RECTANGLE EZ STOR PAIL PHDL DIAMOND PATTERN

Part #: 3E538DIA

Size:	20 Liter
Color:	White
Material:	PP
Style:	OH Plastic Rectangle Pail
Additional Info:	EZ Stor, Plastic Handle, Diamond Pattern
Case Pack:	160 each
Pallet Pack:	160 each



**Product Specifications**

**5.3-Gallon EZ STOR® Container with Hinged Cover**

**Multiple Uses**

Dry Products

**Product Codes**

Container: **E05G – Diamond Pattern**

Description: 5.3-gallon rectangular can

Cover: **ESDH**

Description: Dry seal, tamper-evident, hinged EZ open & close cover

**Features**

- Built in hand grips
- Gauge: 55 mil. +
- Nominal capacity: 5.3 USG / 20 L
- Stack performance: 220 lbs.\*
- Tare weights: Body: 1.34 lbs. / .61 kgs.
- Cover: .39 lbs. / .18 kgs.

Note: \*Ratings will be reduced with uneven load distribution.

**Specifications with Cover**

- Dimensions: 11-15/16"L X 9-7/8"W X 14-11/16"H\*
- Maximum capacity: 5.6 USG / 21.2 L
- Tare weight: 1.73 lbs. / .79 kgs.

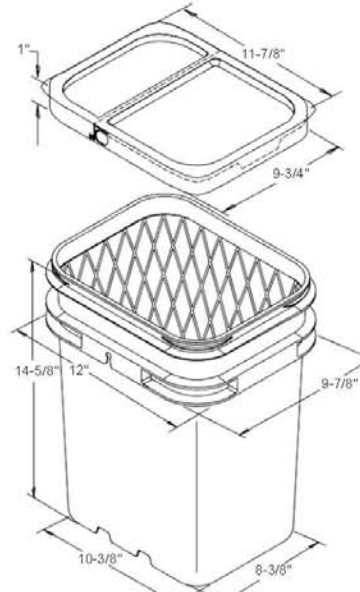
**Colors**

- Standard: White, Black, Natural and Clear
- Custom: Available at manufacturer's discretion

**Decorating Options\***

- Four or six color offset printing\*\*
- NXT Graphics®
- Sleeve or pressure sensitive labeling

Note: \*See EZ Stor Decoration Summary for further details.  
\*\*Where available.



**Shipping Data**

- Qty. per pallet:
- Gross Weight (lbs./kgs)\*\*:
- Den. (lbs./C.F./kgs./m3):
- Length (in./cm.):
- Width (in./cm.):
- Height (in./cm.):

**Bodies**

- 144
- 193/88
- 3.3/52.4
- 49.5/125.7
- 41/104.1
- 50.5/128.3

**Covers**

- 1,440 (30 boxes of 48)
- 561.6/259.2
- 6.1/99.3
- 48/121.9
- 40/101.6
- 83/210.8

**Filled Containers**

- 48 (16 per layer / 3 layer high)
- Pallet height: 48.75"

Estimated truckload quantity of 6,336 bodies and covers\*\*

Notes: \*Weight does not include pallet / packaging  
\*\*Truckload quantity based on 53' trailer

**Materials**

- FDA approved materials
- Resin: Body: Polypropylene (PP)
- Cover: Polypropylene (PP)
- MSDS Sheets available upon request

**Optional Carrying Handle**