

Represented by



Product Specification Sheet

Illing Part#

3E4DH1

3 - 4.25 GAL WHITE PP RECT EZ STOR COVER HINGED

Part #: 3E4DH1

Size:	3 - 4.25 GALLON
Color:	WHITE
Material:	PP
Style:	RECTANGLE EZ STORAGE COVER
Additional Info:	HINGED
Case Pack:	560 BLUK PACK
Pallet Pack:	560 BULK PACK





Product Specifications

3.5-Gallon Clear EZ STOR® Container with Hinged Cover

Multiple Uses

Dry Products

Product Codes

Container: **E357 Clear**

Description: 3.5-gallon rectangular can

Cover: **E4DR**

Description: Dry seal, tamper-evident, hinged, EZ open & close cover with Ring Pull®

Features

- Built in hand grips
- Gauge: 65 mil.
- Nominal capacity: 3.5 USG / 13.2L
- Stack performance: 150 lbs.*
- Tare weights: Body: 1.12 lbs. / .51 kgs.
- Cover: .38 lbs. / .17 kgs.

Note: *Ratings will be reduced with uneven load distribution.

Specifications with Cover

- Dimensions: 12-1/16"L X 10-1/16"W X 11-3/8"H
- Maximum capacity: 3.88 USG / 14.7L
- Tare weight: 1.50 lbs. / .68 kgs.

Colors

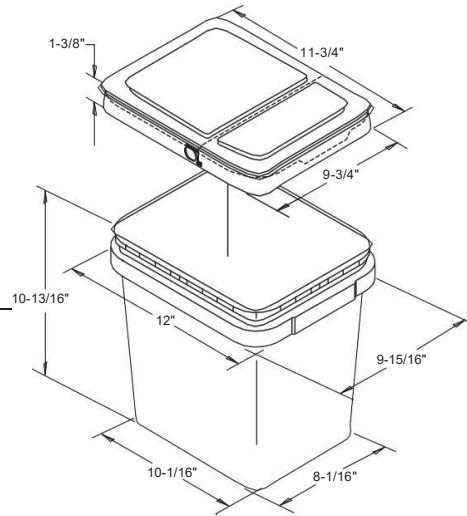
Clear Polypropylene (PP)

Decorating Options*

- Four or six color offset printing**
- Sleeve or pressure sensitive labeling
- NXT Graphics®

Note: *See EZ Stor Decoration Summary for further details.

**Where available.



Shipping Data

- Qty. per pallet:
- Gross Weight (lbs./kgs.)**:
- Den. (lbs./C.F./kgs./m3):
- Length (in./cm.):
- Width (in./cm.):
- Height (in./cm.):

Bodies

- 288
- 322.5/146.8
- 5.6/91.5
- 48.0/121.9
- 40.0/101.6
- 51.0/129.5

Covers

- 2,304 (32 boxes of 72)*
- 875.5/391.6
- 10.6/167.6
- 47/119.4
- 41/104.1
- 74/188

Filled Containers

- 64 (16 per layer / 4 layers high)
- Pallet height: 50"

Estimated truckload quantity of 12,672 bodies and covers***

Note: *Bulkpack of 1120 also available

**Weight does not include pallet / packaging

***Truckload quantity based on 53' trailer

Materials

- FDA approved materials
- Resin: Body: Clarified Polypropylene (PP)
- Cover: Polypropylene (PP)

Optional Carrying Handle