

Represented by



Product Specification Sheet

Illing Part#

3E175

6.1 LTR WHT PP OH RECT EZ STOR PAIL WITH HANDLE (1.6 GAL)

Part #: 3E175

Size:	6.1 Liter (1.6 Gallon)
Color:	White
Material:	PP
Style:	OH Plastic Rectangle Pail
Additional Info:	With Plastic Handle
Case Pack:	600 each
Pallet Pack:	600 each



Product Specifications

6.1-Liter EZ STOR® with Gasketless Hinged Cover

Multiple Uses

Dry Products
Liquid Products

Product Codes

Container: **E175**

Description: 6.1-Liter rectangular can

Cover: **E2AH**

Description: Gasketless, tamper-evident, hinged, EZ open & close cover with Ring Pull®

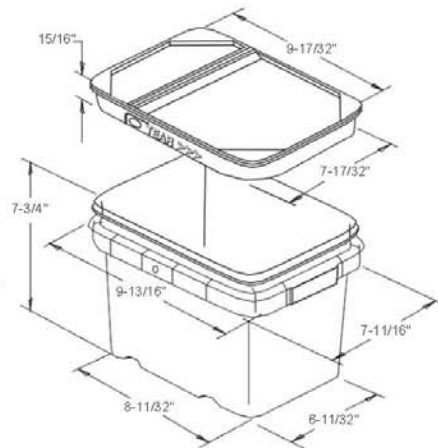
Features

Gauge: 50 mil.
Nominal capacity: 1.6 USG / 6.1 L
Stack performance: 125 lbs.*
Tare weights: Body: .48 lbs. / .22 kgs.
Cover: .14 lbs. / .06 kgs.

Note: *Ratings will be reduced with uneven load distribution.

Specifications with Cover

Dimensions: 9-13/16"L X 7-11/16"W X 7-13/16"H
Maximum capacity: 1.675 USG / 6.1 L
Tare weight: .62 lbs. / .28 kgs.



Colors

Standard: White, Black, Natural and Clear
Custom: Available at manufacturer's discretion

Decorating Options*

Pressure sensitive labeling

Note: *See EZ Stor Decoration Summary for further details.

Shipping Data

Qty. per pallet:
Gross Weight (lbs./kgs.):
Den. (lbs./C.F./kgs./m3):
Length (in./cm.):
Width (in./cm.):
Height (in./cm.):

Bodies

600
311/141
5.4/85
48/122
40/102
52/133

Covers

1,200
168/72
6.6/100.1
48/122
40/102
22.7/57.8

Filled Containers

144 (24 per layer/6 layers high)
Pallet height: 50.975"

Estimated truckload quantity of 26,400 bodies and covers**

Notes: *Weight does not include pallet / packaging
**Truckload quantity based on 53' trailer

Materials

FDA and HPB approved materials
Resin: Body: Polypropylene (PP)
or Clear Polypropylene (PP)
Cover: Polypropylene (PP)

MSDS Sheets available upon request

Optional Carrying Handle