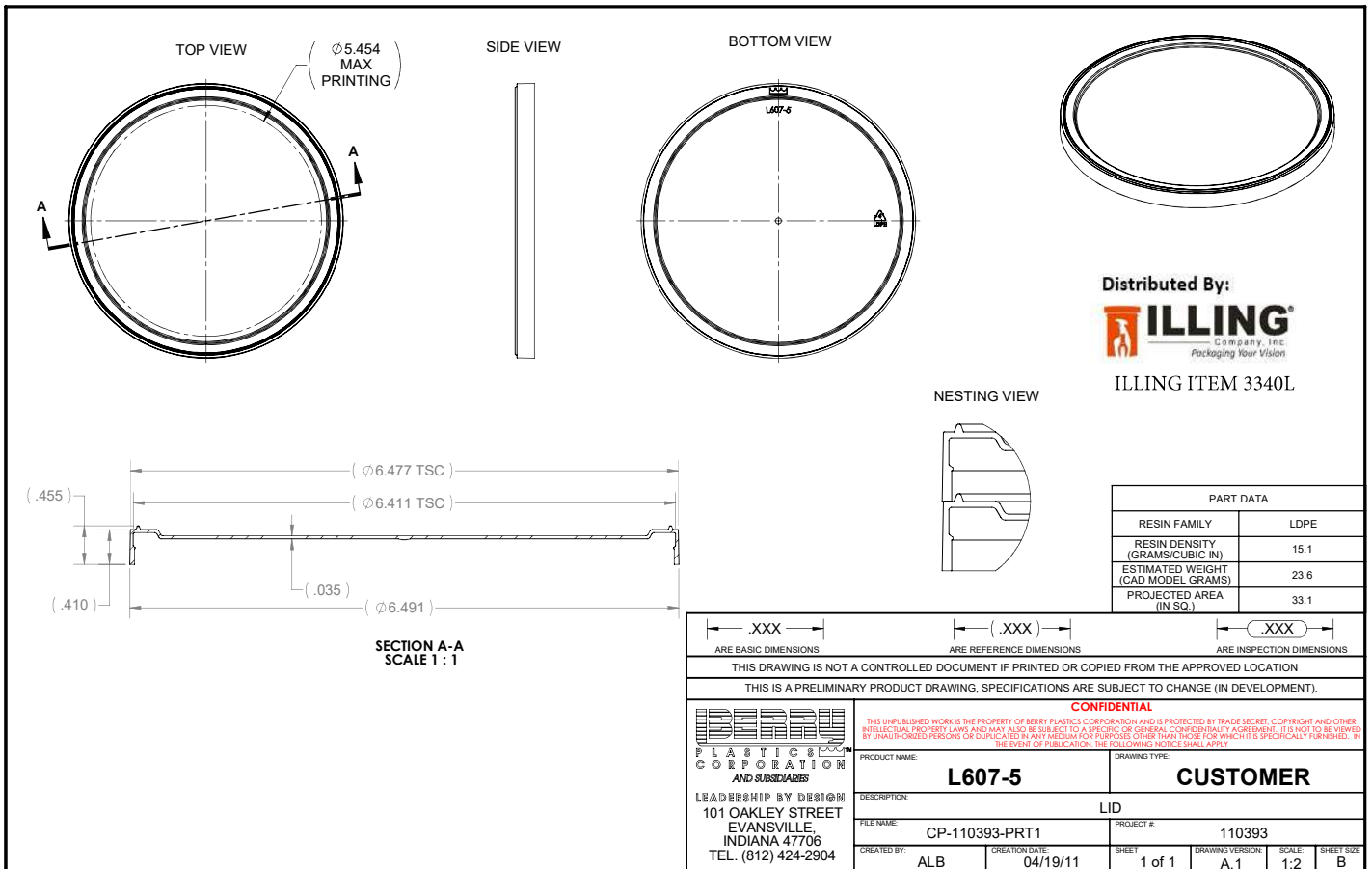



Product Specification Sheet

Illing Part#

3340L



← .XXX → ARE BASIC DIMENSIONS	← (.XXX) → ARE REFERENCE DIMENSIONS	← (XXX) → ARE INSPECTION DIMENSIONS
THIS DRAWING IS NOT A CONTROLLED DOCUMENT IF PRINTED OR COPIED FROM THE APPROVED LOCATION		
THIS IS A PRELIMINARY PRODUCT DRAWING. SPECIFICATIONS ARE SUBJECT TO CHANGE (IN DEVELOPMENT).		
CONFIDENTIAL		
<small>THIS UNPUBLISHED WORK IS THE PROPERTY OF BERRY PLASTICS CORPORATION AND IS PROTECTED BY TRADE SECRET, COPYRIGHT AND OTHER INTELLECTUAL PROPERTY LAWS AND MAY ALSO BE SUBJECT TO A SPECIFIC OR GENERAL CONFIDENTIALITY AGREEMENT. IT IS NOT TO BE VIEWED BY UNAUTHORIZED PERSONS OR DUPLICATED IN ANY MEDIUM FOR PURPOSES OTHER THAN THOSE FOR WHICH IT IS SPECIFICALLY FURNISHED. IN THE EVENT OF PUBLICATION, THE FOLLOWING NOTICE SHALL APPLY:</small>		
 BERRY PLASTICS CORPORATION <small>AND SUBSIDIARIES</small> LEADERSHIP BY DESIGN 101 OAKLEY STREET EVANSVILLE, INDIANA 47706 TEL. (812) 424-2904	PRODUCT NAME: L607-5	DRAWING TYPE: CUSTOMER
DESCRIPTION: LID	FILE NAME: CP-110393-PRT1	PROJECT #: 110393
CREATED BY: ALB	CREATION DATE: 04/19/11	SHEET: 1 of 1
		DRAWING VERSION: A.1
		SCALE: 1:2
		SHEET SIZE: B