

Represented by



**ILLING**<sup>TM</sup>  
P A C K A G I N G

**Product Specification Sheet**

Illing Part#

3204

## 2 GALLON WHITE HDPE OH ROUND PAIL WITH BAIL

Part #: 3204

Size:	2 Gallon
Color:	White
Material:	HDPE
Style:	Round
Additional Info:	With Bail
Case Pack:	240 each
Pallet Pack:	240 each



**Product Specifications**

**2-Gallon Round Container with Gasket EZ Cover<sup>®</sup>**

**Multiple Uses**

Dry Products  
Liquid Products

**Product Codes**

Container: **R027**  
Description: 2-gallon round can

**Cover: T2WR**

Description: Tamper-evident, round EZ Cover<sup>®</sup>  
with tubular gasket and Ring Pull<sup>®</sup>

**Features**

Gauge: 65 mil.  
Nominal capacity: 2.0 USG / 7.6 L  
Stack performance: 200 lbs.\*  
Tare weights: Body: .80 lbs. / .36 kgs.  
Cover: .30 lbs. / .14 kgs.

Note: \*Ratings will be reduced with uneven load distribution.

**Specifications with Cover**

Dimensions: 9-15/16"D X 9-7/16"H  
Maximum capacity: 2.1 USG / 7.9 L  
Tare weight: 1.10 lbs. / .50 kgs.

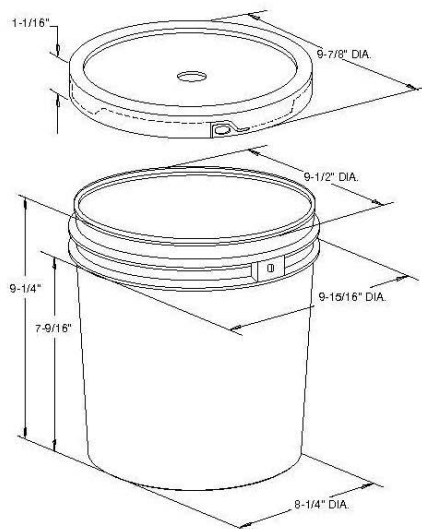
**Colors**

Standard: White, Black and Natural  
Custom: Available at manufacturer's discretion

**Decorating Options**

Silk - Screening: 25-1/2"W X 6"H  
Four or six\* color offset printing  
Print area: 27-1/2"W X 6"H  
NXT Graphics<sup>®</sup>

Note: \*Where available



**Shipping Data**

Qty. per pallet: 240  
Gross Weight: (lbs./kgs)\*\*: 192/86.4  
Den. (lbs./C.F./kgs./m3): 5.1/76.8  
Length (in./cm.): 49/124.5  
Width (in./cm.): 40/101.6  
Height (in./cm.): 33/83.8  
Estimated truckload quantity of 14,400 bodies and covers\*\*\*

**Bodies**

**Covers**

**Filled Containers**

1,920 (24 boxes of 80)\*  
576/268.8  
5.4/89.7  
100 (20 per layer / 5 layers high)  
Pallet height: 51"

Notes: \*Bulk pack also available  
\*\*Weight does not include pallet/packaging  
\*\*\*Truckload quantity based on 53' trailer

**Materials**

FDA approved materials  
Resin: Body: High-Density Polyethylene (HDPE)  
Cover: High-Density Polyethylene (HDPE)  
Styrene Butadiene Rubber (SBR) Gasket  
MSDS Sheets available upon request

**Optional Carrying Handle**