

Represented by



**ILLING**<sup>™</sup>  
P A C K A G I N G

**Product Specification Sheet**

Illing Part#

3200RW

# 1 GALLON WHITE HDPE OH PAIL WITH BAIL & MUST BE FLAMED

Part #: 3200RW

Size:	1 Gallon
Color:	White
Material:	HDPE
Style:	Plastic EZ Tear Tab Cover
Additional Info:	With Bail
Case Pack:	450 each
Pallet Pack:	450 each



**Product Specifications**

**1-Gallon Round Container with FIG EZ Cover<sup>®</sup>**

**Multiple Uses**

Dry Products  
Liquid Products

**Product Codes**

Container: **R015**  
Description: 1-gallon round can

**Cover: T1FZ**

Description: Tamper-evident, round EZ Cover<sup>®</sup>  
flowed-in gasket

**Features**

Gauge: 50 mil.  
Nominal capacity: 1 USG / 3.8 L  
Stack performance: 150 lbs.\*  
Tare weights: Body: .44 lbs. / .20 kgs.  
Cover: .20 lbs. / .09 kgs.

Note: \*Ratings will be reduced with uneven load distribution.

**Specifications with Cover**

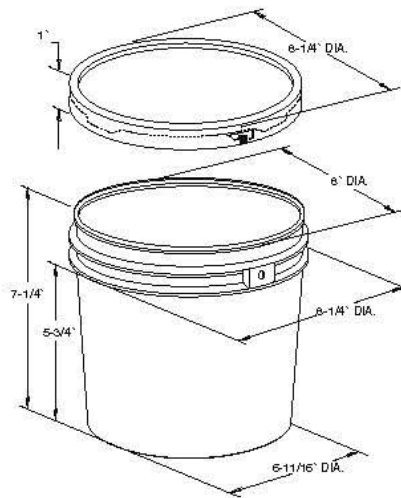
Dimensions: 8-1/4"D X 7-5/16"H  
Maximum capacity: 1.1 USG / 4.2 L  
Tare weight: .64 lbs. / .29 kgs.

**Colors**

Standard: White, Black and Natural  
Custom: Available at manufacturer's discretion

**Decorating Options**

Silk - Screening: 20-3/4"W X 4-1/2"H  
Four or six\* color offset printing  
Print area: 22-3/4"W X 4-1/2"H  
Sleeve or pressure sensitive labeling  
Note: \*Where available



**Shipping Data**

Qty. per pallet: 450  
Gross Weight (lbs./kgs.): 198/90  
Den. (lbs./C.F./kgs./m3): 5.8/92.6  
Length (in./cm.): 49.5/125.7  
Width (in./cm.): 41.3/104.9  
Height (in./cm.): 29/73.7  
Estimated truckload quantity of 25,650 bodies and covers\*\*

**Bodies**

**Covers**

**Filled Containers**

3,000 (20 boxes of 150)  
600/270  
6.5/103.1

180 (30 per layer/6 layers high)  
Pallet height: 48"

Notes: \*Weight does not include pallet/packaging  
\*\*Truckload quantity based on 53' trailer

**Materials**

FDA approved materials  
Resin: Body: High-Density Polyethylene (HDPE)  
Cover: High-Density Polyethylene (HDPE)  
Hot Melt Synthetic Resin - Flowed-in Gasket  
MSDS Sheets available upon request

**Optional Carrying Handle**