

Represented by



Product Specification Sheet

Illing Part#

31276

70 MM NAT PE SCREW CAP VENTED 6TPI SC86-143 W/PVTFE1

Part #: 31276

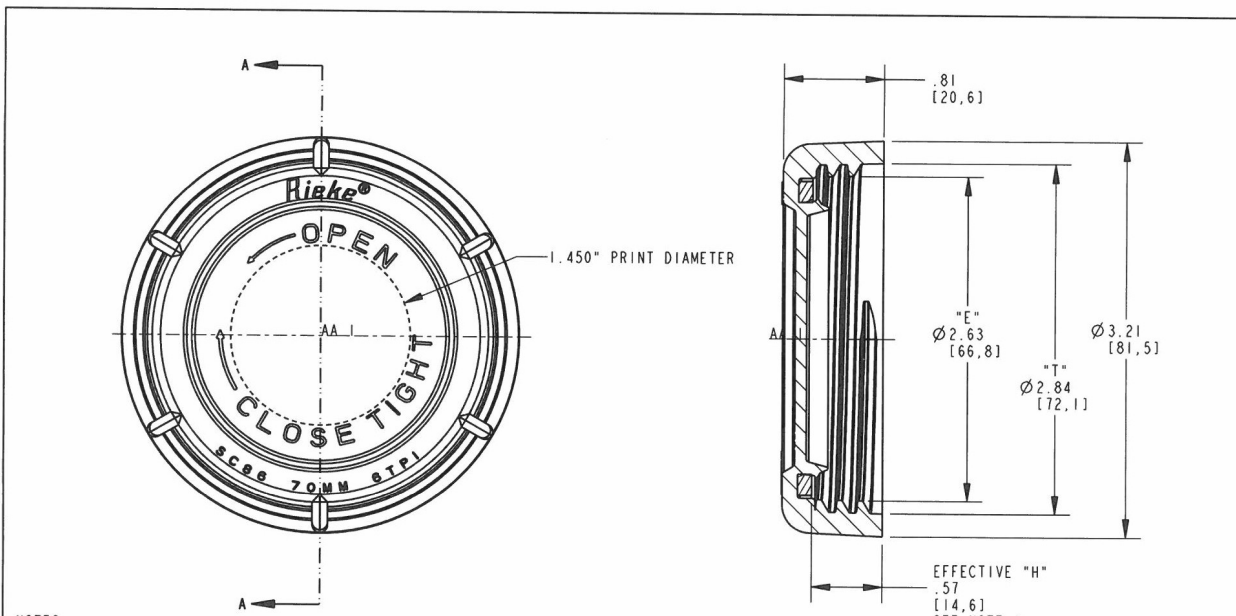
Size:	70mm
Color:	Natural
Material:	Plastic
Style:	Screw Cap
Additional Info:	Vented
Case Pack:	250
Pallet Pack:	4,000

Represented by



Product Specification Sheet

Illing Part# 31276



- NOTES:
 1) EFFECTIVE "H" IS ESTABLISHED BY SUBTRACTING GASKET THICKNESS FROM OVERALL "H"
 2) MATERIALS USED MEET FDA REQUIREMENTS
 3) 6TPI, .167 PITCH

SECTION A-A PRO/E

CUSTOMER DRAWING

BREAK ALL SHARP EDGES WITH 1/64" RADIUS, UNLESS OTHERWISE SPECIFIED		DATE	DRAWN BY			Rieke® Corporation — Auburn, Indiana	
THE FOLLOWING TOLERANCES APPLY UNLESS OTHERWISE SPECIFIED:		09-APR-02	VLV	A	ADDED PRINT DIAMETER	8-12-04	TITLE
ANGLES	± 1/4°	SCALE	CHECKED		INITIAL RELEASE	22-JAN-03	CLOSURE, 70mm, 6TPI BUTTRESS
HUNDRETH	± .02 [0.50]	1.0	RDR	CHANGE NUMBER	CHANGE	DATE	BY
THOUSANDTH	± .010 [0.25]		APPROVED	THIS DOCUMENT AND ITS CONTENTS DISCLOSE INFORMATION THAT IS PROPRIETARY TO RIEKE PACKAGING SYSTEMS. NEITHER POSSESSION OR RECEIPT OF THIS DOCUMENT, OR ITS INTENT, CONFERS OR TRANSFERS ANY RIGHT TO REPRODUCE, USE, OR DISCLOSE ANY PART OF ITS CONTENT EXCEPT BY WRITTEN AUTHORIZATION FROM RIEKE PACKAGING SYSTEMS.			
							PRODUCT
							SC86
							DRAWING NUMBER
							28001930
							MFG LOCATION
							AUBURN
							MATERIAL
							SEE NOTES TEMPER
							DETAIL NUMBER
							SC86