

Represented by



**ILLING**<sup>™</sup>  
P A C K A G I N G

**Product Specification Sheet**

Illing Part#

308613

## 4.13 GALLON WHITE HDPE OH PAIL 70 MIL WITH BAIL & RED CWL

Part #: 308613

Size:	4.13 Gallon
Color:	White
Material:	HDPE
Style:	OH Plastic Round Pail
Additional Info:	With Bail & Red CWL
Case Pack:	144 each
Pallet Pack:	144 each



**Product Specifications**

**4-Gallon Round Container with T4 Cover**

**Multiple Uses**

Dry Products

**Product Codes**

Container: **T047**

Description: 4-gallon round can

Cover: **T4D0**

Description: Tamper-evident, round cover

**Features**

Gauge: 65 mil.  
Nominal capacity: 4.0 USG / 15.1 L  
Stack performance: 300 lbs.\*  
Tare weights: Body: 1.28 lbs. / .58 kgs.  
Cover: .36 lbs. / .17 kgs.

Note: \*Ratings will be reduced with uneven load distribution.

**Specifications with Cover**

Dimensions: 11-7/16"D X 12-3/4"H  
Maximum capacity: 4.3 USG / 16.3 L  
Tare weight: 1.64 lbs. / .75 kgs.

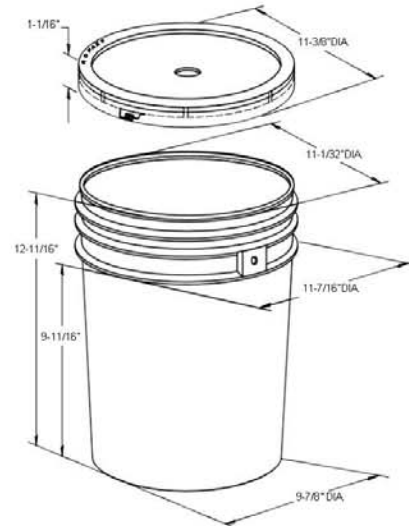
**Colors**

Standard: White and Natural  
Custom: Available at manufacturer's discretion

**Decorating Options**

Silk - Screening: 30-1/4"W X 8-1/4"H  
Four or six\* color offset printing  
Print area: 32-1/4"W X 8-1/4"H

Note: \*Where available



**Shipping Data**

Qty. per pallet:  
Gross Weight: (lbs./Kgs.)\*\*:  
Den. (lbs./C.F./Kgs./m3):  
Length (in./cm.):  
Width (in./cm.):  
Height (in./cm.):

**Bodies**

144  
184.3/83.5  
4.1/65.5  
48/121.9  
34.5/87.6  
47/119.4

**Covers**

1,440 (30 boxes of 48)\*  
518.4/244.8  
5.6/92.9  
48/121.9  
40/101.6  
83.7/212.6

**Filled Containers**

36 (12 per layer / 3 layers high)  
Pallet height: 42.75"

Estimated truckload quantity of 6,624 bodies and covers\*\*\*

Notes: \*Bulk pack also available  
\*\*Weight does not include pallet/packaging  
\*\*\*Truckload quantity based on 53' trailer

**Materials**

FDA approved materials  
Resin: Body: High-Density Polyethylene (HDPE)  
Cover: High-Density Polyethylene (HDPE)  
MSDS Sheets available upon request

**Optional Carrying Handle**