

Represented by



**ILLING**<sup>™</sup>  
P A C K A G I N G

**Product Specification Sheet**

Illing Part#

3084L

# 5 GALLON WHITE HDPE EZ TEAR STRIP SQUARE COVER NO GASKET

Part #: 3084L

Size:	5 Gallon
Color:	White
Material:	HDPE
Style:	Plastic Square Cover
Additional Info:	No Gasket
Case Pack:	96 each
Pallet Pack:	2,304 each

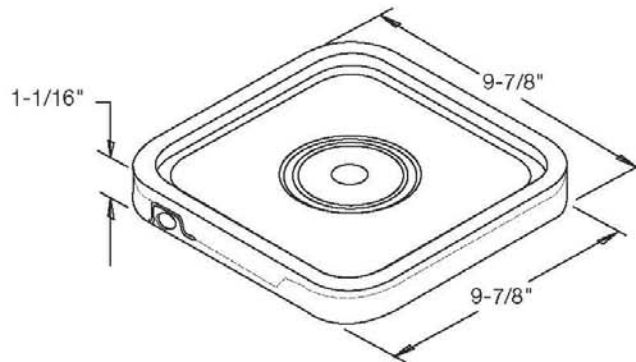


**Ropak Packaging**

A  Company

**Product Specifications**

**Tamper-Evident Square EZ Cover<sup>®</sup> with Ring Pull<sup>®</sup> (STDR)**



**Features**

- Exclusive EZ Cover design with Ring Pull
- EZ to open and reseal with two tabs
- Tamper-evident tear strip
- Medium duty cover performance
- Dry seal closure

**Used with Ropak Square Bodies**

Models	Nominal capacity
SA26	2.1-gallon
S026	2.1-gallon
S337	3.3-gallon
S357	3.5-gallon
S377	3.7-gallon
S047	4-gallon
SA48	4-gallon
S048	4-gallon
S427	4.25-gallon
S438	4.25-gallon
S05C	5-gallon

**Product Weight**

STDR: .37 lbs. / .17 kgs.

**Shipping Data**

Qty. per pallet:	2,304 (24 boxes of 96)
Gross Weight (lbs./kgs.):	852.5 / 391.7
Length (in./cm.):	51/129.5
Width (in./cm.):	41/104.1
Height (in./cm.):	89/223.6

Note: Bulk packs of 1,240 also available.

**Materials**

- Resin: Prime High Density Polyethylene (HDPE)
- FDA and USDA approved materials
- MSDS Sheets available upon request