

Represented by



ILLING[™]
P A C K A G I N G

Product Specification Sheet

Illing Part# 308480

4 GALLON WHITE HDPE OH SQR PAIL 65 MIL WITH BAIL

Part #: 308480D

Size:	4 Gallon
Color:	White
Material:	HDPE
Style:	OH Plastic Square Pail
Additional Info:	65 MIL, With Bail
Case Pack:	240 each
Pallet Pack:	240 each



Product Specifications

4-Gallon Square Container with EZ Cover®

Multiple Uses

Dry Products

Product Codes

Container: **S047**

Description: 4-gallon square can

Cover: **STDR**

Description: Tamper-evident, square EZ Cover® with Ring Pull®

Features

Built in handgrips
 Gauge: 65 mil.
 Nominal capacity: 4.0 USG / 15.0 L
 Stack performance: 175 lbs.*
 Tare weights: Body: 1.32 lbs. / .60 kgs.
 Cover: .37 lbs. / .17 kgs.

*Note: *Ratings will be reduced with uneven load distribution.*

Specifications with Cover

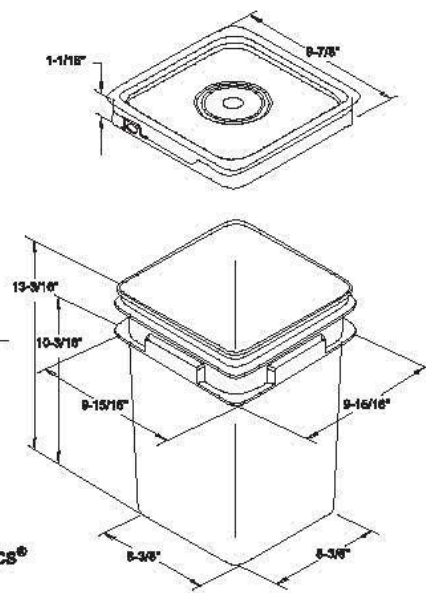
Dimensions: 9-15/16" X 9-15/16" X 13-1/4"H
 Maximum capacity: 4.1 USG / 15.5 L
 Tare weight: 1.69 lbs. / .77 kgs.

Colors

Standard: White, Black, Natural and Clear
 Custom: Available at manufacturer's discretion

Decorating Options

Silk - Screening: 5"W X 7-1/2"H
 Four or six* color offset printing
 Print area: 5"W X 7-1/2"H on each panel
 Sleeve, pressure sensitive labeling (PSL) or NXT Graphics®
*Note: *Where available*



Shipping Data

Qty. per pallet:
 Gross Weight (lbs./kgs.)***:
 Den. (lbs./C.F./kgs./m3):
 Length (In./cm.):
 Width (In./cm.):
 Height (in./cm.):

Bodies

240
 316.8/144
 5.4/86.7
 51.7/131.3
 42.2/107.2
 48.5/118.1

Covers

2,304 (24 boxes of 96)
 852.5/391.7
 8.0/129.9
 51/129.5
 41/104.1
 89/223.6

Filled Containers

60 (20 per layer / 3 layers high)
 Pallet height: 44"

Estimated truckload quantity of 11,040 bodies and covers***

*Notes: *Bulk pack also available
 **Weight does not include pallet/packaging
 ***Truckload quantity based on 53' trailer*

Materials

FDA approved materials
 Resin: Body: High-Density Polyethylene (HDPE)
 or Clear Polypropylene (PP)
 Cover: High-Density Polyethylene (HDPE)

Optional Carrying Handle