

Represented by



ILLING[™]
P A C K A G I N G

Product Specification Sheet

Illing Part#

30833

3.3 GALLON WHITE HDPE OH SQR PAIL 65 MIL WITH METAL HANDLE

Part #: 30833

Size:	3.3 Gallon
Color:	White
Material:	HDPE
Style:	OH Plastic Square Pail
Additional Info:	65MIL, With Metal Handle
Case Pack:	240 each
Pallet Pack:	240 each



www.illingpackaging.com



Product Specifications

3.3-Gallon Square Container with EZ Cover®

Multiple Uses

Solid Hazardous Material
Removable Head Jerrican (3H2)
Packaging Group III (Z9.0)
Gross Mass Rating 9kg / 19.8 lbs.

Product Codes

Container: **U03 (S33)**
Description: 3.3-gallon square can
Cover: **STEZ/STDR**
Description: Tamper-evident, square EZ Cover® with Ring Pull® and foam in gasket

Features

Built in hand grips
Gauge: 45+ mil.
Nominal capacity: 3.3 USG / 12.5 L
Stack performance: 87.3kg or 192.5 lbs.*
Tare weights: Body: .783 lbs. / .355 kgs.
Cover: .37 lbs. / .17 kgs.

Note: *Ratings will be reduced with uneven load distribution.

Specifications with Cover

Dimensions: 9-15/16" X 9-15/16" X 11-3/16"H
Maximum capacity: 3.35 USG / 12.7 L
Tare weight: 1.153 lbs. / .53 kgs.

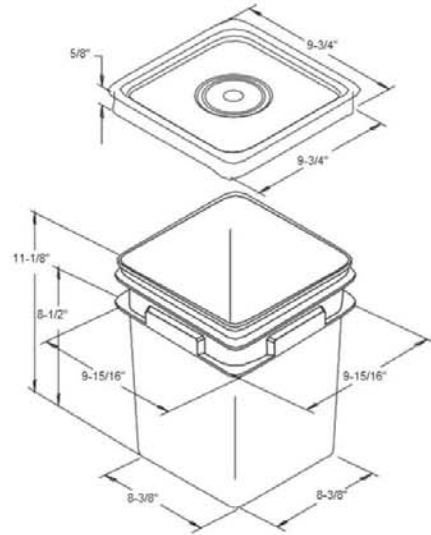
Colors

Standard: White, Black, Natural and Clear
Custom: Available at manufacturer's discretion

Decorating Options

Sleeve or pressure sensitive labeling
NXT Graphics®

Note: *Where available



Shipping Data

Qty. per pallet:
Gross Weight (lbs./kgs.)**:
Den. (lbs./C.F./kgs./m3):
Length (in./cm.):
Width (in./cm.):
Height (in./cm.):

Bodies

240
188/86.4
3.5/57
50.5/128.3
41.5/105.4
44.2/112.3

Covers

2,304 (24 boxes of 96)*
852.5/391.7
8.0/129.9
51/129.5
41/104.1
89/223.6

Filled Containers

60 (20 per layer / 3 layers high)
Pallet height: 38.06"

Estimated truckload quantity of 11,040 bodies and covers***

Notes: *Bulk pack also available
**Weight does not include pallet/packaging
***Truckload quantity based on 53' trailer

Materials

FDA approved materials
Resin: Body: High-Density Polyethylene (HDPE)
Cover: High-Density Polyethylene (HDPE)
Hot Melt Synthetic Resin – Flowed-in Gasket
MSDS Sheets available upon request

Optional Carrying Handle