

Represented by



ILLING[™]
P A C K A G I N G

Product Specification Sheet

Illing Part#

3053RW

3.5 GALLON WHITE HDPE OH PAIL WITH METAL HANDLE

Part #: 3053RW

Size:	3.5 Gallon
Color:	White
Material:	HDPE
Style:	OH Plastic Round Pail
Additional Info:	With Metal Handle
Case Pack:	144 each
Pallet Pack:	144 each



Ropak Packaging

A  Company

Product Specifications

3.5-Gallon Round Container with Lightweight EZ Cover[®]

Multiple Uses

Dry Products
Liquid Products

Product Codes

Container: **R038**
Description: 3.5-gallon round can

Cover: **LTGL**

Description: Lightweight tamper-evident EZ Cover[®] with Ring Pull[®], four tabs and tubular gasket

Features

Gauge: 75 mil.
Nominal capacity: 3.5 USG / 13.2 L
Stack performance: 350 lbs. *
Tare weights: Body: 1.42 lbs. / .64 kgs.
Cover: .43 lbs. / .20 kgs.

Note: *Ratings will be reduced with uneven load distribution.

Specifications with Cover

Dimensions: 12-3/8"D X 11-1/2"H
Maximum capacity: 4.1 USG / 15.5 kgs.
Tare weight: 1.85 lbs. / .84 kgs.

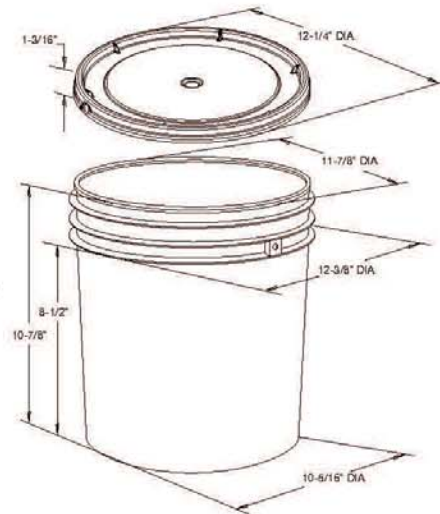
Colors

Standard: White, Black and Natural
Custom: Available at manufacturer's discretion

Decorating Options

Silk-Screening: 32-1/4"W X 7"H
Four or six* color offset printing
Print area: 34-1/4"W X 7"H

Note: *Where available



Shipping Data

Qty. per pallet/carton: 144
Gross Weight (lbs./kgs)**: 204.5/92.2
Den. (lbs./C.F./kgs./m3): 5.5/88.2
Length (in./cm.): 49.3/125.2
Width (in./cm.): 37.5/95.3
Height (in./cm.): 34.5/87.6
Estimated truckload quantity of 8,640 bodies and covers***

Bodies

Covers

Filled Containers

1,152 (24 boxes of 48)*
495.4/230.4
6.2/101.9
48/121.9
40/101.6
72/183

48 (12 per layer / 4 layers high)
Pallet height: 48"

Notes: *Bulk pack also available
**Weight does not include pallet/packaging
***Truckload quantity based on 53' trailer

Materials

FDA approved materials
Resin: Body: High-Density Polyethylene (HDPE)
Cover: High-Density Polyethylene (HDPE)
Styrene Butadiene Rubber (SBR) Gasket
MSDS Sheets available upon request

Optional Carrying Handle

F.O.B. – ROPAK Facilities