

Represented by



ILLING[™]
P A C K A G I N G

Product Specification Sheet

Illing Part#

3052UNB

5 GALLON BLACK HDPE OH PAIL 90 MIL UN Y1.5/30

Part #: 3052UNB

| | |
|------------------|-----------------------|
| Size: | 5 Gallon |
| Color: | Black |
| Material: | HDPE |
| Style: | OH Plastic Round Pail |
| Additional Info: | 90 MIL, UN Y1.5/30 |
| Case Pack: | 144 each |
| Pallet Pack: | 144 each |



Product Specifications

UN 5.0-Gallon Liquid Packaging with U5 Cover

Multiple Uses

Liquid Hazardous Materials
 Liquid Packaging (1H2)
 Packing Group II or III (Y)
 1.5 Specific Gravity – 30 kPa

Product Codes

Container: **U059**
 Description: 5.0-gallon round can

Cover: **U5G0**

Description: Plain UN cover with tubular gasket and pour spout or screw cap closures

Features

Gauge: 90 mil.
 Nominal capacity: 5.0 USG / 19.0L
 Stack performance: 400 lbs.*
 Tare weights: Body: 2.12 lbs. / .96 kgs.
 Cover: .77 lbs. / .35 kgs.

*Note: *Ratings will be reduced with uneven load distribution.*

Specifications with Cover

Dimensions: 12-3/8"D. X 14-7/8"H
 Maximum capacity: 5.55 USG / 21.0L
 Tare weight: 2.89 lbs. / 1.31 kgs.*

*Note: *With handle, add .12 lbs.*

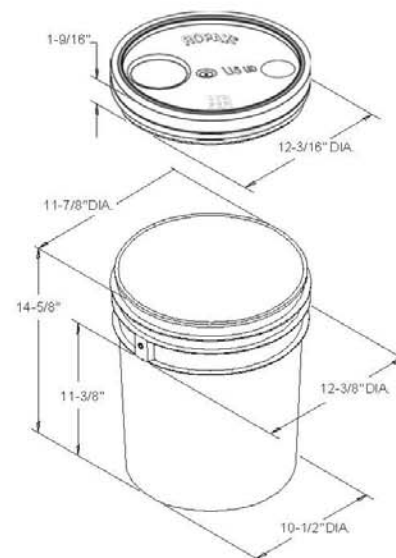
Colors

Standard: White, Black and Natural
 Custom: Available at manufacturer's discretion

Decorating Options

Silk - Screening: 32"W X 8-3/4"H
 Four or six* color offset printing
 Print area: 34"L X 9-1/4"H
 Sleeve or pressure sensitive labeling

*Notes: *Where available*



Shipping Data

Qty. per pallet/carton: 144
 Gross Weight (lbs./kgs.)**: 305.3/138.5
 Den. (lbs./C.F./kgs./m3): 5.9/95.5
 Length (in./cm.): 49.3/125.2
 Width (in./cm.): 37.5/95.3
 Height (in./cm.): 48.1/122.2
 Full truckload quantity of 6,336 bodies and covers***

Bodies

Covers*

Filled Containers

1152 (24 boxes of 48)
 887/402.3
 12.5/201.3
 50/127
 37.5/95.3
 65/165.1

36 (12 per layer / 3 layers high)
 Pallet height: 48.75"

*Notes: *Bulk pack of 240 also available
 **Weight does not include pallet/packaging
 ***Truckload quantity based on 53' trailer*

Materials

FDA approved materials
 Resin: Body: High-Density Polyethylene (HDPE)
 Cover: High-Density Polyethylene Blend (HDPE) with Ethylene Propylene Diene Monomer (EPDM) Gasket

Optional Carrying Handles

Plastic HDPE or
 Metal nine-gauge gal. steel

MSDS Sheets available upon request