

Represented by



**ILLING**<sup>TM</sup>  
P A C K A G I N G

**Product Specification Sheet**

Illing Part#

30528W

## 5.4 GALLON WHITE HDPE OH PAIL 90 MIL UN Y1.5/30

Part #: 30528W

Size:	5.4 Gallon
Color:	White
Material:	HDPE
Style:	OH Plastic Round Pail
Additional Info:	90 MIL, UN Y1.5/30
Case Pack:	120 each
Pallet Pack:	120 each



## Product Specifications

### UN 5.3-Gallon Liquid Packaging with U5 Cover

#### Multiple Uses

Liquid Hazardous Materials  
Liquid Packaging (1H2)  
Packing Group II or III (Y)  
1.5 Specific Gravity – 30 kPa

#### Product Codes

Container: **U549**  
Description: 5.3-gallon round can

#### Cover: U5G0

Description: Plain UN cover with tubular gasket and pour spout or screw cap closures

#### Features

Gauge: 90 mil.  
Nominal capacity: 5.3 USG / 20.0 L  
Stack performance: 400 lbs.\*  
Tare weights: Body: 2.16 lbs. / .98 kgs.  
Cover: .77 lbs. / .35 kgs.

Note: \*Ratings will be reduced with uneven load distribution.

#### Specifications with Cover

Dimensions: 12-3/8"D X 15-7/16"H  
Maximum capacity: 5.78 USG / 21.9 L  
Tare weight: 2.93 lbs. / 1.33 kgs.\*

Note: \*With handle, add .10 lbs.

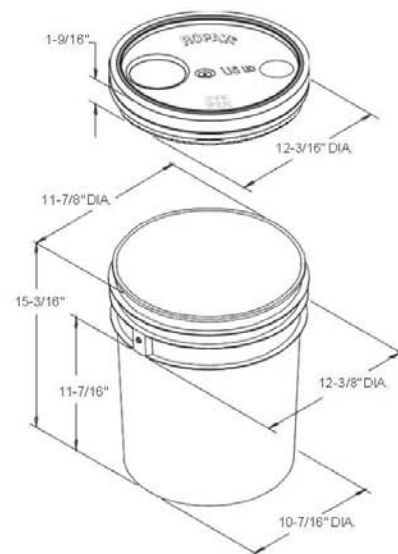
#### Colors

Standard: White, Black and Natural  
Custom: Available at manufacturer's discretion

#### Decorating Options

Silk - Screening: 34"L X 9-1/2"H  
Four or six\* color offset printing  
Print area: 34"L X 9-1/2"H  
Sleeve or pressure sensitive labeling

Notes: \*Where available



#### Shipping Data

Qty. per pallet/carton: 96  
Gross Weight (lbs/kgs.)\*\*: 207.4/94.1  
Den. (lbs./C.F./kgs./m3): 3.8/61.1  
Length (in./cm.): 50.0/127.0  
Width (in./cm.): 40.0/101.6  
Height (in./cm.): 47/119.4  
Full truckload quantity of 4,226 bodies and covers\*\*\*

#### Bodies

#### Covers\*

#### Filled Containers

1152 (24 boxes of 48)  
887/402.3  
12.5/201.3  
50/127  
37.5/95.3  
65/165.1

36 (12 per layer/3 layers high)  
Pallet height: 50.3"

Notes: \*Bulk pack of 240 also available

\*\*Weight does not include pallet/packaging

\*\*\*Truckload quantity based on 53' trailer

#### Materials

FDA approved materials  
Resin: Body: High-Density Polyethylene (HDPE)  
Cover: High-Density Polyethylene Blend (HDPE) with  
Ethylene Propylene Diene Monomer (EPDM) Gasket

#### Optional Carrying Handles

Plastic HDPE or  
Metal nine-gauge gal. steel

MSDS Sheets available upon request