

Represented by



**ILLING**<sup>™</sup>  
P A C K A G I N G

**Product Specification Sheet**

Illing Part#

3011UNN

## 5 GALLON NATURAL HDPE COVER WITH RFI UN (Y1.5/30)(Y43/S)

Part #: 3011UNN

Size:	5 Gallon
Color:	Natural
Material:	HDPE
Style:	Plastic Round Cover
Additional Info:	With Rieke Flexspout Insert
Case Pack:	240 each
Pallet Pack:	240 each



## Product Specifications

### 5.0 Gallon 90mil UN Pail with UN Cover

Note: \*Rated for Liquids Y1.5/30 and Solids Y43/S for Packing Group II and III (USA and Canada)

**Multiple Uses**

Dry Products  
Liquid Products

**Product Codes**

Container: **5500 Series, 55100**  
Description: 5 gallon UN Pail

Cover: **2500 Series**

Description: 5 gallon Standard UN Cover

Note: \*Multiple fitting and venting options available

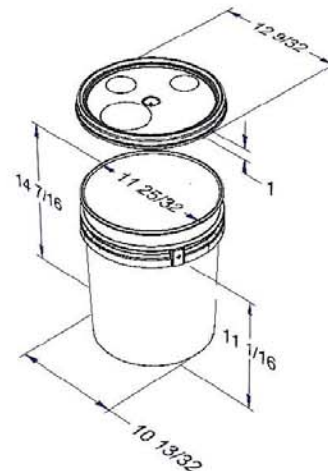
**Features**

Gauge: 90 mil.  
Nominal capacity: 5.0 USG / 19.0 L  
Stack performance: 350 lbs.\*  
Tare weights: Body: 2.08 lbs. / .948 kgs  
Cover: .77 lbs. / .350 kgs.

Note: \*Ratings will be reduced with uneven load distribution.

**Specifications with Cover**

Dimensions: 12-5/16" D X 14-11/16"H  
Maximum capacity: 5.36 USG / 21.2 L  
Tare weight: 2.85 lbs. / 1.29 kgs.



**Colors**

Standard: White, Black and Natural  
Custom: Available at manufacturer's discretion

**Decorating Options**

Four color offset printing  
Print area: 33"W x 8-1/2"H  
Sleeve or pressure sensitive labeling

**Shipping Data**

Qty. per pallet/carton:  
Gross Weight (lbs/kgs.)\*\*:  
Length (in./cm.):  
Width (in./cm.):  
Height (in./cm.):

**Bodies**

240\*  
499 / 226  
48 / 122  
36 / 91.4  
45 / 114

**Covers**

1,200\*  
924 / 419  
49.5 / 126  
40 / 102  
97.5 / 248

**Filled Containers**

36 (12 per layer / 3 layers high)  
Pallet Height: 47"

Estimated truckload quantity of 5,520 bodies and covers\*\*\*

Notes: \*Quantity can vary based on customer request  
\*\*Weight does not include pallet/packaging  
\*\*\*Truckload quantity based on 53' trailer

**Materials**

FDA approved materials  
Resin: Body: High-Density Polyethylene (HDPE)  
Cover: High-Density Polyethylene (HDPE)

**Optional Carrying Handle**

Wire or Plastic

MSDS Sheets available upon request