

Represented by



**ILLING**<sup>™</sup>  
P A C K A G I N G

**Product Specification Sheet**

Illing Part#

3007UNY

# 20 LITER YELLOW HDPE OH PAIL 90MIL UN Y1.5/30 Y43/S W/ CWL, MHDL

Part #: 3007UNY

Size:	20 Liter
Color:	Yellow
Material:	HDPE
Style:	OH Plastic Round Pail
Additional Info:	With Metal Handle & CWL
Case Pack:	120 each
Pallet Pack:	120 each



**Product Specifications**

**20 Liter 90 mil LBR Pail with UN Short Skirt Cover**

Note: \*Rated for Liquids Y1.5/30 and Solids Y43/S for Packing Group II and III (USA and Canada)

**Multiple Uses**

Dry Products  
Liquid Products

**Product Codes**

Container: **5500 Series**  
Description: 20 Liter LBR Standard Pail

Cover: **2500 Series**

Description: UN Short Skirt Cover

Note: \*Multiple fitting and venting options available

**Features**

Gauge: 90 mil.  
Nominal capacity: 5.3 USG / 20 L  
Stack performance: 350 lbs.\*  
Tare weights: Body: 2.17 lbs. / .985 kgs  
Cover: .77 lbs. / .350 kgs.

Note: \*Ratings will be reduced with uneven load distribution.

**Specifications with Cover**

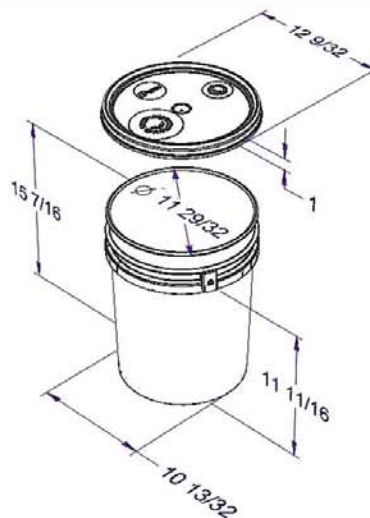
Dimensions: 12-5/16" D X 15-11/16"H  
Maximum capacity: 5.36 USG / 20.3 L  
Tare weight: 2.94 lbs. / 1.33 kgs.

**Colors**

Standard: White, Black and Natural  
Custom: Available at manufacturer's discretion

**Decorating Options**

Four color offset printing  
Print area: 33"W x 8-3/4"H  
Sleeve or pressure sensitive labeling



**Shipping Data**

Qty. per pallet/carton:  
Gross Weight (lbs/kgs.)\*\*:  
Length (in./cm.):  
Width (in./cm.):  
Height (in./cm.):

**Bodies**

240\*  
520 / 236  
50 / 127  
38.5 / 98  
51 / 129

**Covers**

1,200\*  
924 / 419  
49.5 / 126  
40 / 102  
98 / 249

**Filled Containers**

36 (12 per layer / 3 layers high)  
Pallet Height: 50.3"

Estimated truckload quantity of 5,520 bodies and covers\*\*\*

Notes: \*Quantity can vary based on customer request  
\*\*Weight does not include pallet/packaging  
\*\*\*Truckload quantity based on 53' trailer

**Materials**

FDA approved materials  
Resin: Body: High-Density Polyethylene (HDPE)  
Cover: High-Density Polyethylene (HDPE)

MSDS Sheets available upon request

**Optional Carrying Handle**

Wire or Plastic