

Represented by



ILLING[™]
P A C K A G I N G

Product Specification Sheet

Illing Part#

3006SHARE

6 GALLON WHITE HDPE OH PAIL 90MIL UN (Y43/S) WITH CWL

Part #: 3006SHARE

Size:	6 Gallon
Color:	White
Material:	HDPE
Style:	OH Plastic Round Pail
Additional Info:	90MIL, UN (Y43/S) W/ CWL
Case Pack:	96 each
Pallet Pack:	96 each



Product Specifications

6.0 Gallon 90mil UN Pail with UN Short Skirt Cover

*Note: *Rated for Solids Y43/S for Packing Group II and III (USA and Canada)*

Multiple Uses

Dry Products
Liquid Products

Product Codes

Container: **5600 Series**
Description: 6 gallon LBR UN Pail

Cover: **2500 Series**

Description: UN Short Skirt Cover

*Note: *Multiple fitting and venting options available*

Features

Gauge: 90 mil.
Nominal capacity: 6.0 USG / 22.7 L
Stack performance: 350 lbs.*
Tare weights: Body: 2.36 lbs. / 1.075 kgs
Cover: .77 lbs. / .350 kgs.

*Note: *Ratings will be reduced with uneven load distribution.*

Specifications with Cover

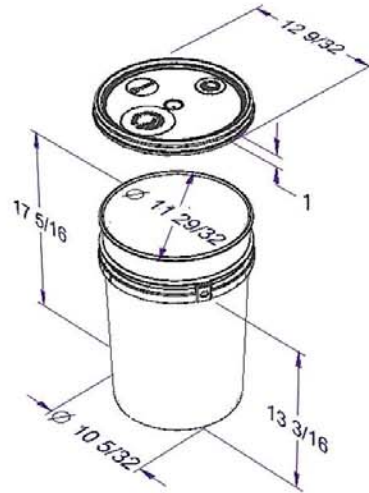
Dimensions: 12-3/8" D X 17-9/16"H
Maximum capacity: 6.36 USG / 24 L
Tare weight: 3.13 lbs. / 1.42 kgs.

Colors

Standard: White, Black and Natural
Custom: Available at manufacturer's discretion

Decorating Options

Four color offset printing
Print area: 33"W x 8-1/2"H
Sleeve or pressure sensitive labeling



Shipping Data

Qty. per pallet/carton:
Gross Weight (lbs/kgs.)**:
Length (in./cm.):
Width (in./cm.):
Height (in./cm.):

Bodies

192*
453 / 206
50 / 127
38.5 / 98
102 / 259

Covers

1,200*
924 / 419
48 / 122
40 / 102
98 / 249

Filled Containers

36 (12 per layer / 3 layers high)
Pallet Height: 53"

Estimated truckload quantity of 4,416 bodies and covers***

*Notes: *Quantity can vary based on customer request
**Weight does not include pallet/packaging
***Truckload quantity based on 53' trailer*

Materials

FDA approved materials
Resin: Body: High-Density Polyethylene (HDPE)
Cover: High-Density Polyethylene (HDPE)

Optional Carrying Handle

Wire or Plastic

MSDS Sheets available upon request