

Represented by



ILLING[™]
P A C K A G I N G

Product Specification Sheet

Illing Part# 3006RP90

6 GALLON WHITE HDPE OH PAIL 90 MIL W/ RED CWL

Part #: 3006RP90

Size:	6 Gallon
Color:	White
Material:	HDPE
Style:	OH Plastic Round Pail
Additional Info:	90MIL, Red CWL
Case Pack:	96 each
Pallet Pack:	96 each



Product Specifications

6.0-Gallon Round Container with Lightweight EZ Cover®

Multiple Uses

Dry Products

Product Codes

Container: **R068**

Description: 6.0-gallon round can

Cover: **LTDL**

Description: Lightweight tamper-evident EZ Cover® with Ring Pull® and four tabs

Features

- Gauge: 75 mil.
- Nominal capacity: 6.0 USG / 22.7 L
- Stack performance: 325 lbs.*
- Tare weights: Body: 2.16 lbs. / .98 kgs.
- Cover: .38 lbs. / .17 kgs.

Note: *Ratings will be reduced with uneven load distribution.

Specifications with Cover

- Dimensions: 12-3/8"D X 17-1/2"H
- Maximum capacity: 6.6 USG / 25.0 L
- Tare weight: 2.54 lbs. / 1.15 kgs.

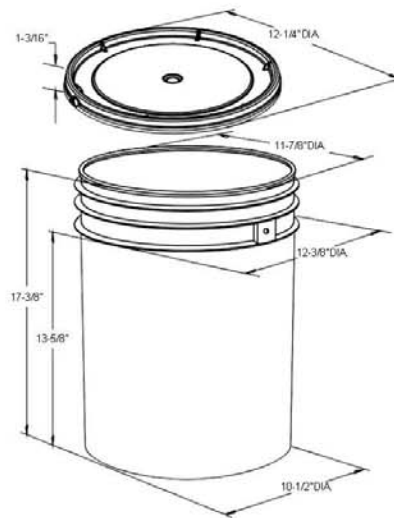
Colors

- Standard: White, Black and Natural
- Custom: Available at manufacturer's discretion

Decorating Options

- Silk-Screening: 31-1/2"W X 10-1/2"H
- Four or six* color offset printing:
- Print area: 33-1/2"W X 10-1/2"H
- Sleeve or pressure sensitive labeling
- NXT Graphics®

Note: *Where available



Shipping Data

- Qty. per pallet/carton: 96
- Gross Weight (lbs./kgs)**: 227/102.9
- Den. (lbs./C.F./kgs./m3): 4.4/70
- Length (in./cm.): 49.3/125.2
- Width (in./cm.): 37.5/95.3
- Height (in./cm.): 48.1/122.2

Bodies

- 96
- 227/102.9
- 4.4/70
- 49.3/125.2
- 37.5/95.3
- 48.1/122.2

Covers*

- 1152 (24 boxes of 48)
- 437.8/196
- 5.8/86.3
- 48/121.9
- 40/101.8
- 72/183

Filled Containers

- 24 (12 per layer / 2 layers high)
- Pallet height: 40.0***

Estimated truckload quantity of 4,608 bodies and covers***

Notes: *Bulk pack of 288 also available
 **Weight does not include pallet/packaging
 ***Truckload quantity based on 53' trailer

Materials

- FDA approved materials
- Resin: Body: High-Density Polyethylene (HDPE)
- Cover: High-Density Polyethylene (HDPE)
- MSDS Sheets available upon request

Optional Carrying Handle

F.O.B. – Ropak Facilities