

Represented by



ILLINGTM
P A C K A G I N G

Product Specification Sheet

Illing Part#

3006RP

6 GALLON WHITE HDPE OH PAIL 75 MIL W/ WIRE HANDLE

Part #: 3006RP

Size:	6 Gallon
Color:	White
Material:	HDPE
Style:	Open Head
Additional Info:	Wire Handle
Case Pack:	96 each
Pallet Pack:	96 each



Product Specifications

6.0-Gallon Round Container with Lightweight EZ Cover®

Multiple Uses

Dry Products

Product Codes

Container: **R068**

Description: 6.0-gallon round can

Cover: **LTDL**

Description: Lightweight tamper-evident EZ Cover® with Ring Pull® and four tabs

Features

Gauge: 75 mil.
 Nominal capacity: 6.0 USG / 22.7 L
 Stack performance: 325 lbs.*
 Tare weights: Body: 2.16 lbs. / .98 kgs.
 Cover: .38 lbs. / .17 kgs.

Note: *Ratings will be reduced with uneven load distribution.

Specifications with Cover

Dimensions: 12-3/8"D X 17-1/2"H
 Maximum capacity: 6.6 USG / 25.0 L
 Tare weight: 2.54 lbs. / 1.15 kgs.

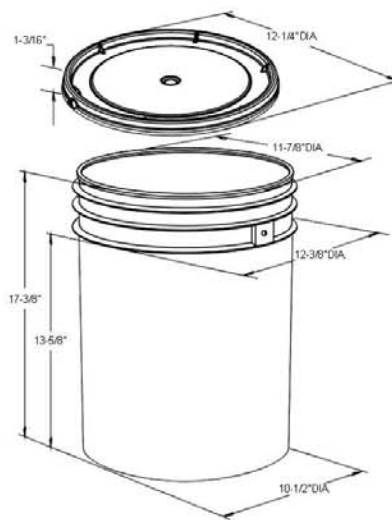
Colors

Standard: White, Black and Natural
 Custom: Available at manufacturer's discretion

Decorating Options

Silk-Screening: 31-1/2"W X 10-1/2"H
 Four or six* color offset printing:
 Print area: 33-1/2"W X 10-1/2"H
 Sleeve or pressure sensitive labeling
 NXT Graphics®

Note: *Where available



Shipping Data

Qty. per pallet/carton:
 Gross Weight (lbs./kgs)**:
 Den. (lbs./C.F./kgs./m3):
 Length (in./cm.):
 Width (in./cm.):
 Height (in./cm.):

Bodies

96
 227/102.9
 4.4/70
 49.3/125.2
 37.5/95.3
 48.1/122.2

Covers*

1152 (24 boxes of 48)
 437.8/196
 5.8/86.3
 48/121.9
 40/101.8
 72/183

Filled Containers

24 (12 per layer / 2 layers high)
 Pallet height: 40.0***

Estimated truckload quantity of 4,608 bodies and covers***

Notes: *Bulk pack of 288 also available
 **Weight does not include pallet/packaging
 ***Truckload quantity based on 53' trailer

Materials

FDA approved materials
 Resin: Body: High-Density Polyethylene (HDPE)
 Cover: High-Density Polyethylene (HDPE)
 MSDS Sheets available upon request

Optional Carrying Handle

F.O.B. –Ropak Facilities